



CASSIOPEA

Dining room

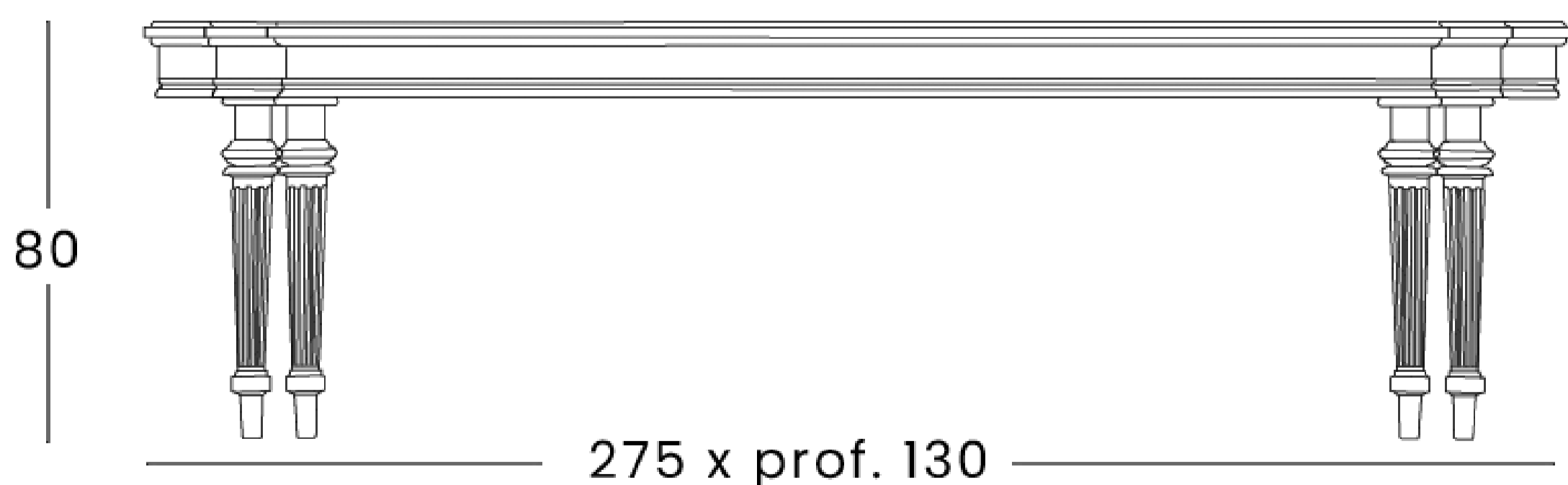
The Cassiopea dining room is the most modern collection of the company. Designed to blend the splendour of the rooms with graceful, geometric, and linear lines. The Louis XVI style, in this case, becomes more marked and recognizable giving to the furniture shape a simple and refined elegance.

CASSIOPEA

Art. 9985

Table

The Cassiopea collection has been designed to blend the luxe of the rooms with more graceful, geometric, and linear lines. The table of this set is the most striking example of this stylistic choice aimed at a more modern style. The double tapered legs on each corner are embellished with fine grooves. Elegance and refinement, this is Cassiopea.

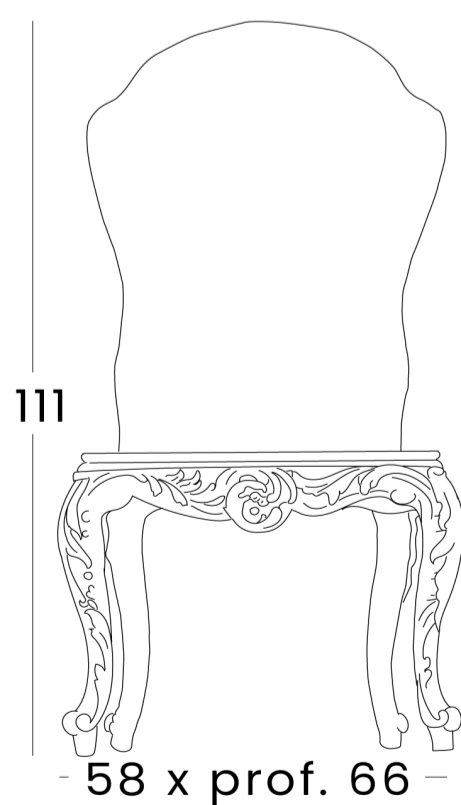
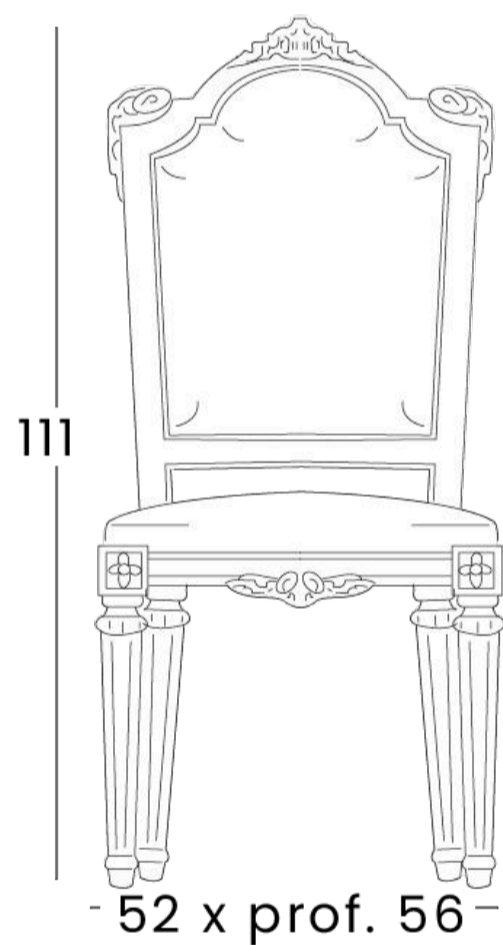


CASSIOPEA

Art. 9937 - 9987

Chairs

With a unique refinement with simple and harmonious lines, the chairs of the Cassiopea set extensively recalls the Louis XVI style creating a timeless past atmosphere characterised by luxury, good taste, and impeccable aesthetics. The seat, as well as the backrest, is padded guaranteeing comfort. An example of style and class.



CASSIOPEA

Art. 5980 - 5802 - 5800 - 5801

TV Stand and glass cabinets

In the Cassiopea collection there are some accessories to complete the set, a glass cabinet, always with very simple lines and geometric pattern and a sideboard with four doors and two drawers with a small central recessed space. Simple but impressive, their more modern look gives a completely new life to these products by Silik.

