



ELENA

Bedroom

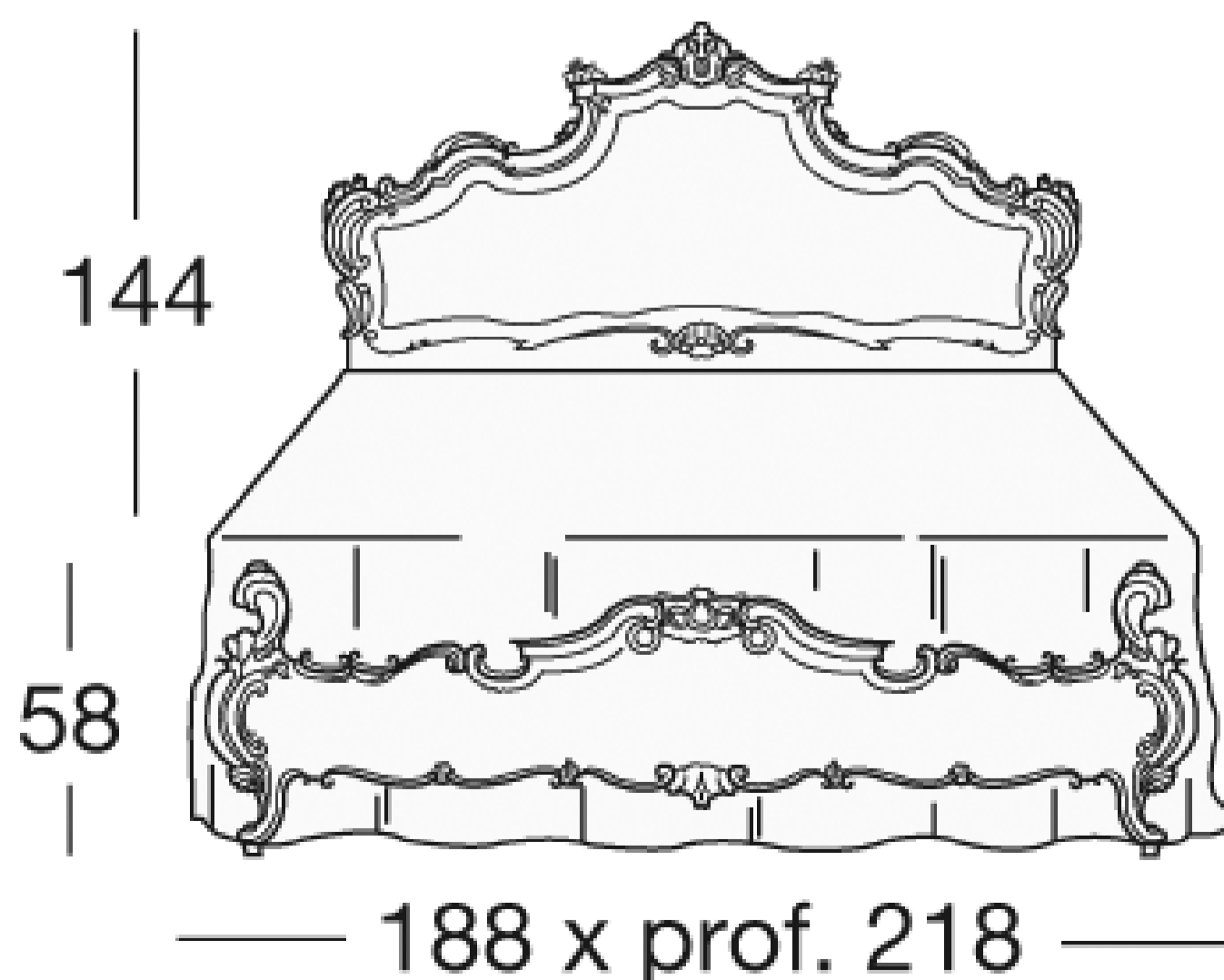
Elena collection is produced in Baroque style but not overly luxurious: this is an excellent combination of classic and refined style with a hint of lightness. Night tables, chest of drawers and dressing table have simple geometries and friezes not too exaggerated. A balanced taste for an architecturally both classic and modern room with a bit of retro charm.

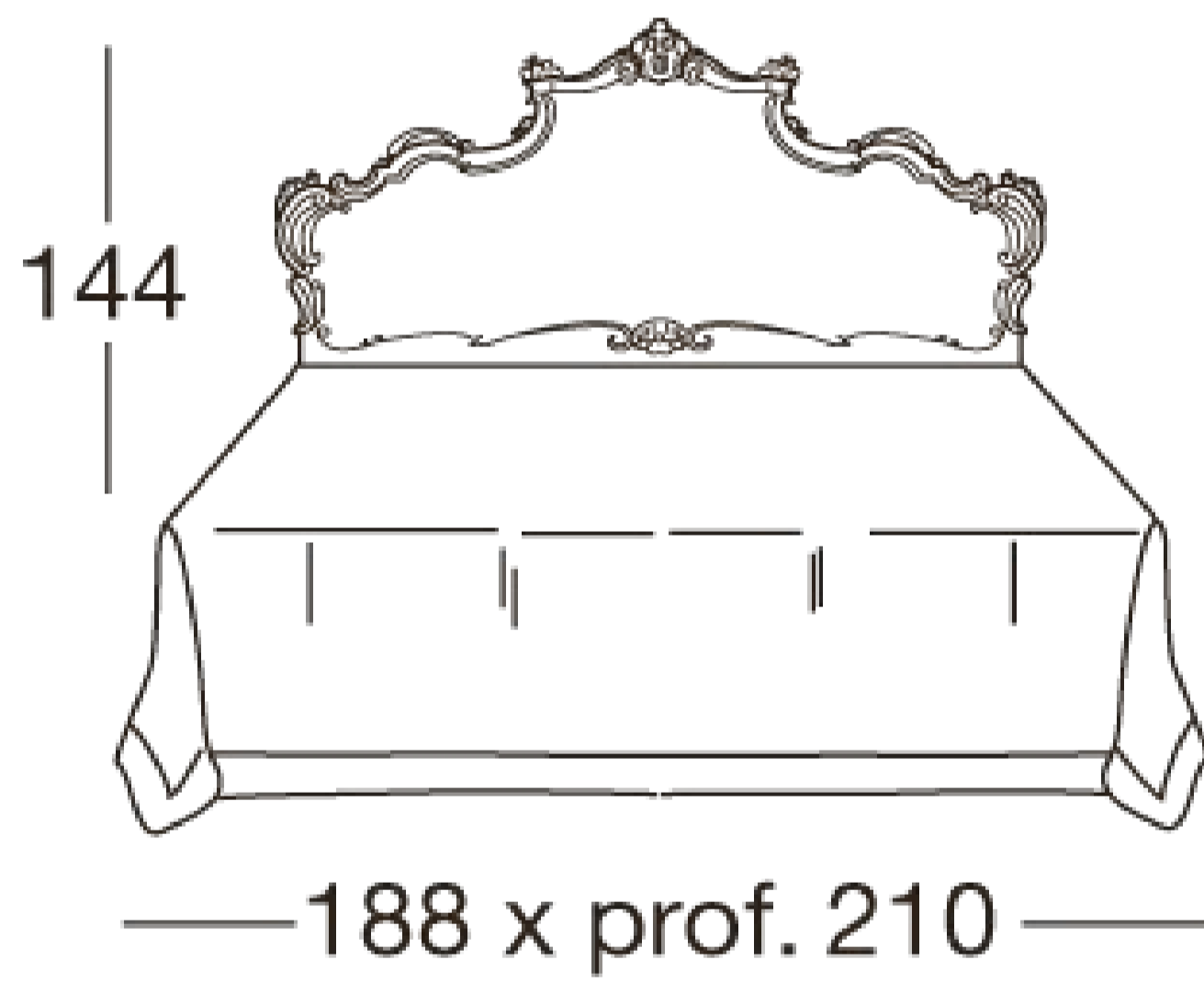
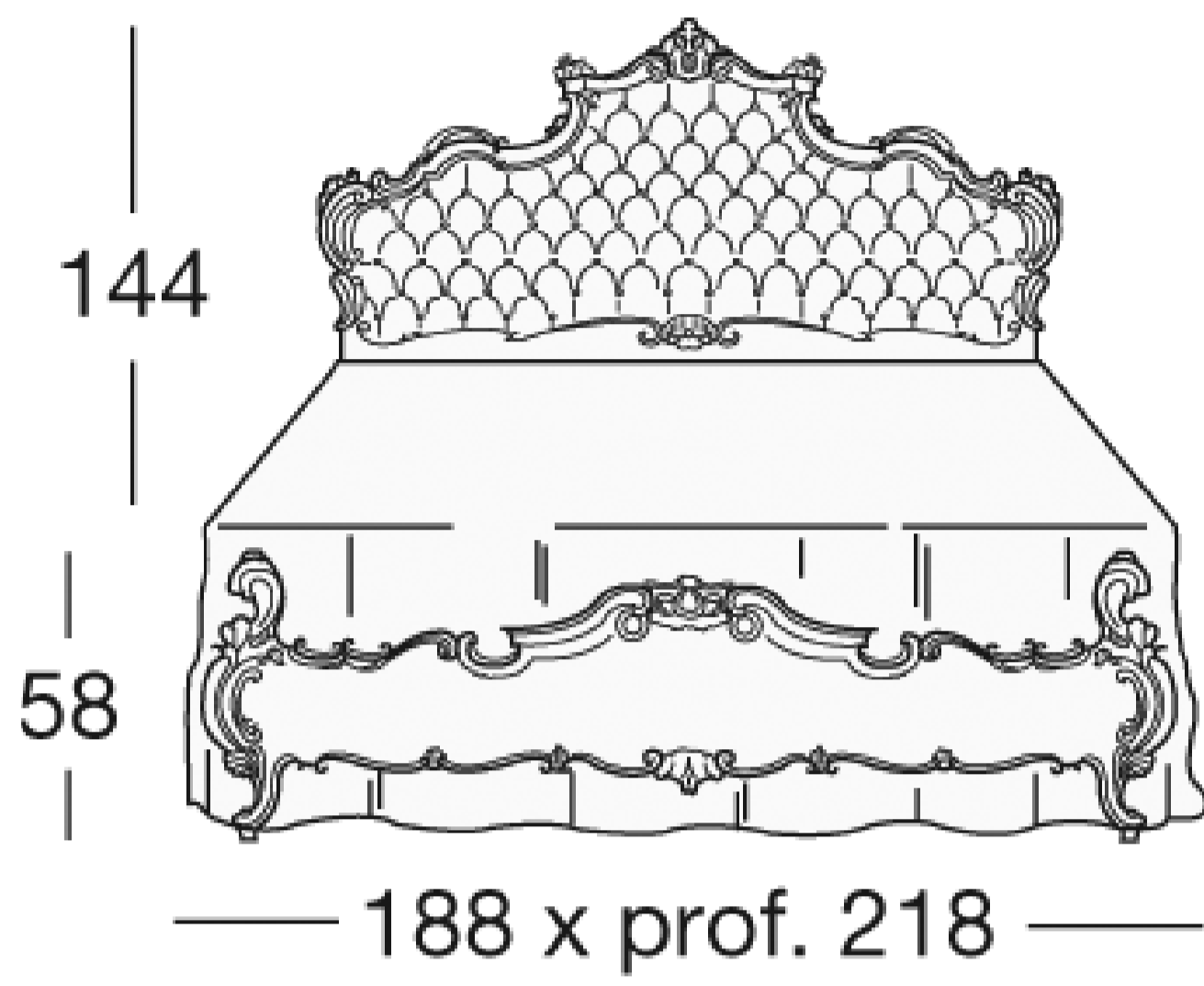
ELENA

Art. 721 - 722 - 722/I

Double beds

The Elena collection combines classic style with a hint of lightness. The three models of the Elena bed, all double, differ in small details regarding headboard, bed frame and footboard. They can be purchased with plain or decorated wooden panels, capitonné or plain upholstered panels. Every customer can find exactly what they are looking for in these three classy everlasting combinations.



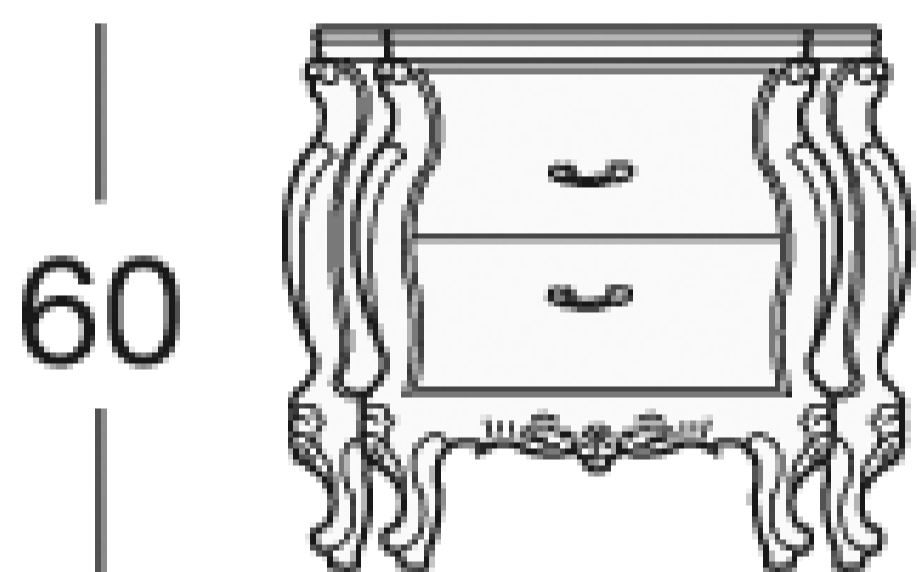


ELENA

Art. 723-C

Night table

The night table with two drawers combined with the Elena collection, also belonging to other collections, is simple and elegant. Thanks to the slightly rounded top there is an appreciable three-dimensionality. The carvings are few, elegant and well distributed just to give this article a simple lightness.



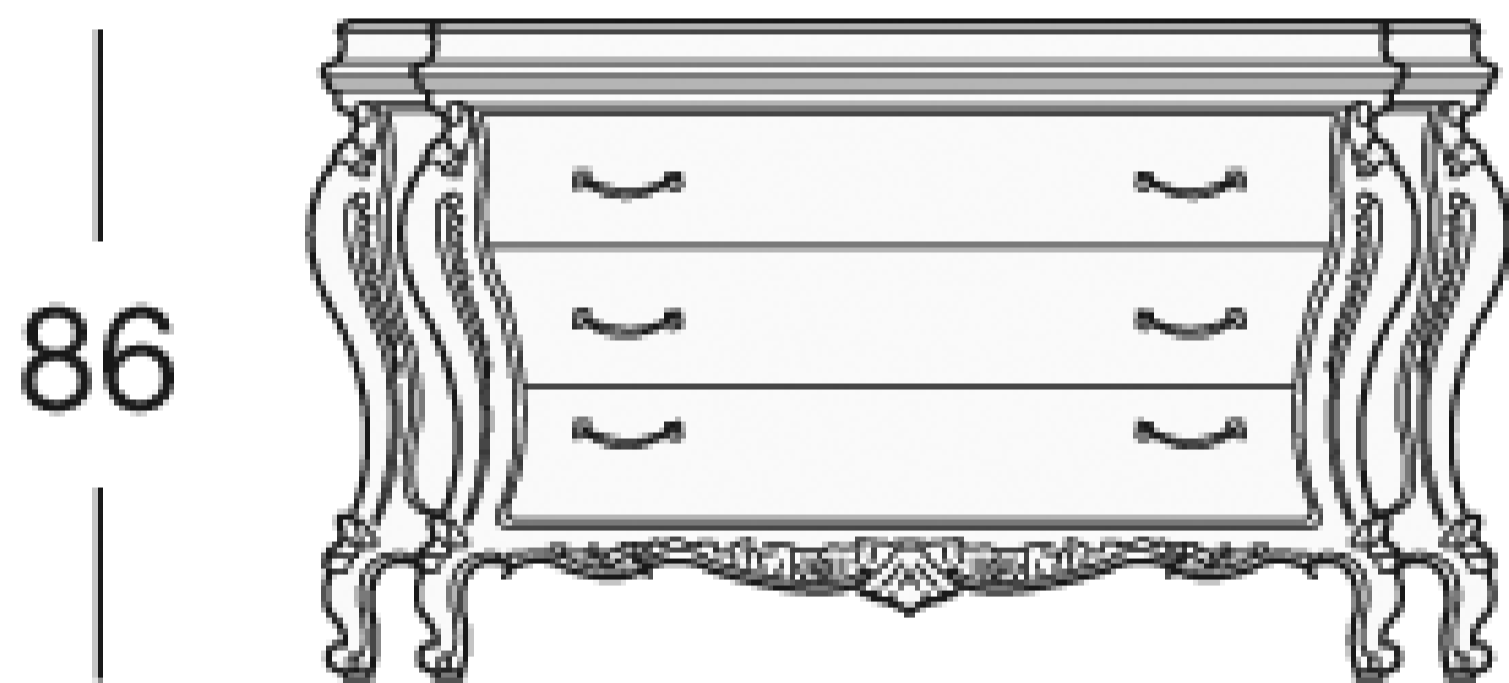
68 x prof. 38

ELENA

Art. 726

Chest of drawers

The chest of drawers of the Elena collection, which is shared with the Asea set, as well as the night table, is slightly rounded at the top and does not have too many decorations, just some but appropriately designed to make this item elegant and charming. 86 cm tall and 142 cm long, it guarantees comfort for every organizational need.



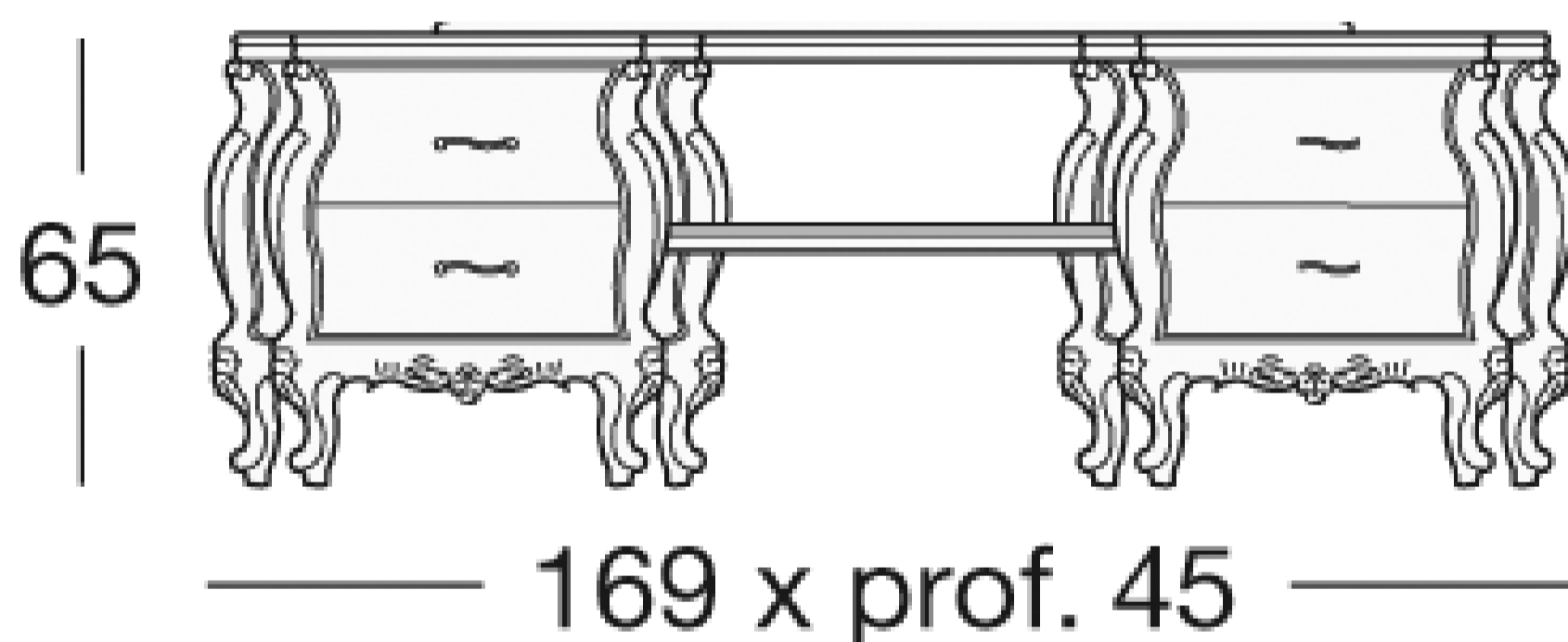
— 142 x prof. 56 —

ELENA

Art. 727-C

Dressing table

The dressing table of the Elena set has four drawers each side and it is 169 cm long. The soft and not heavy lines, give freshness and lightness to a truly refined and elegant collection. The central low shelf of the dressing table is a base for small objects. A real touch of class for a perfect environment.

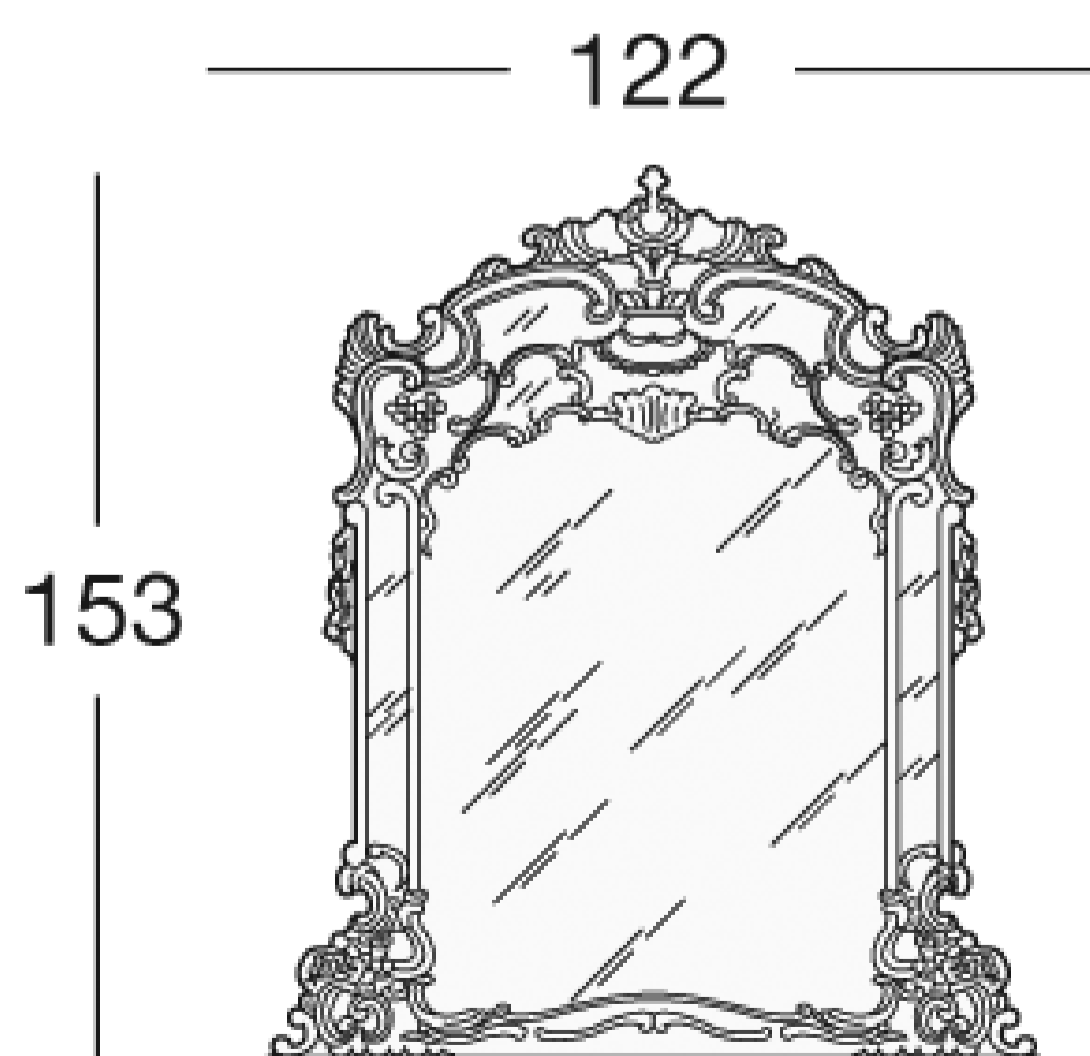
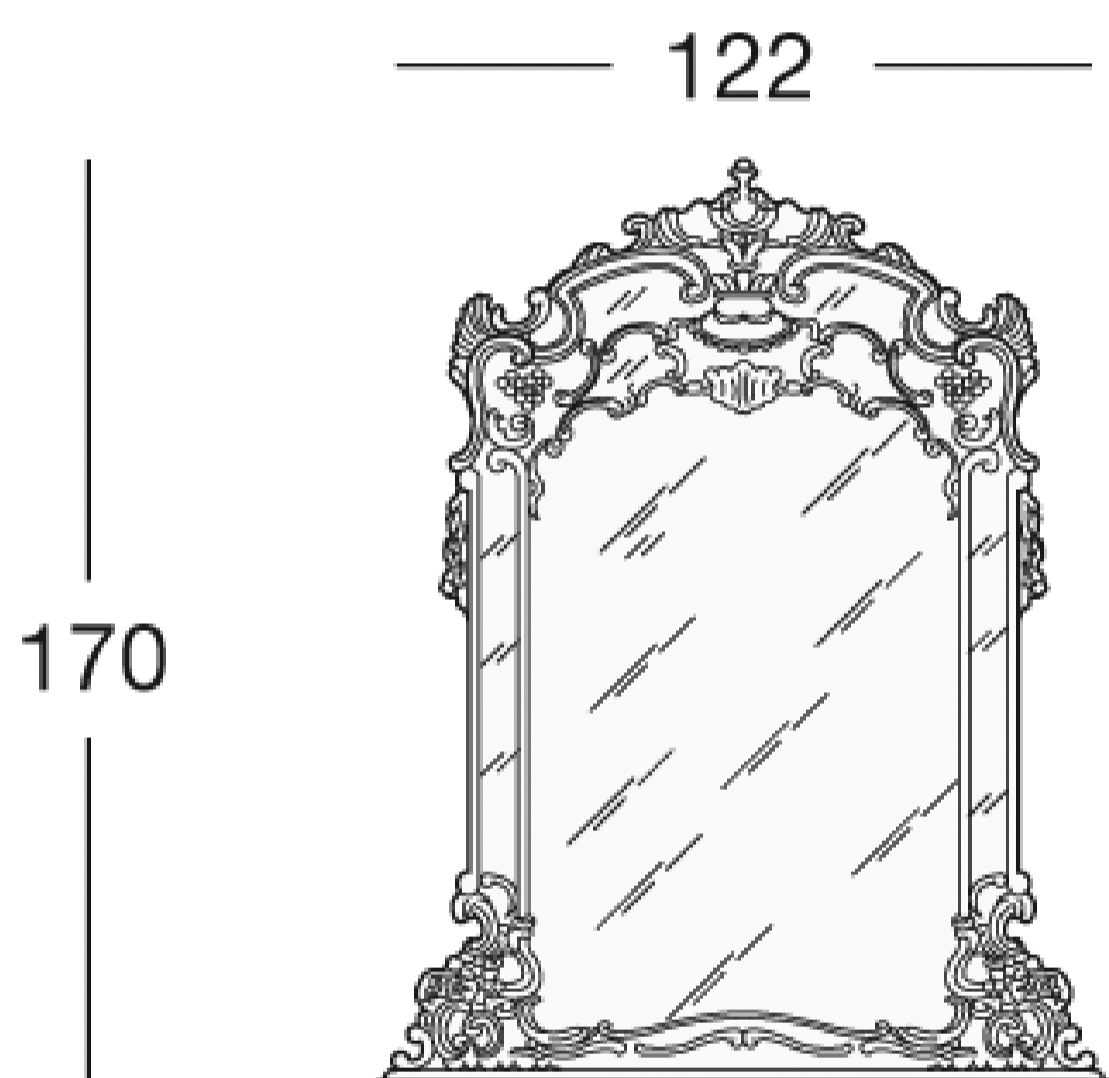


ELENA

Art. 725/M-725

Mirrors

The two frames with mirror of the Elena collection signed Silik are a timeless detail in a bedroom. Large and important, the frames of both mirrors give a royal and immediately noticeable charm. Both 122 cm long, they differ in height: 153 cm one and 170 cm the other.

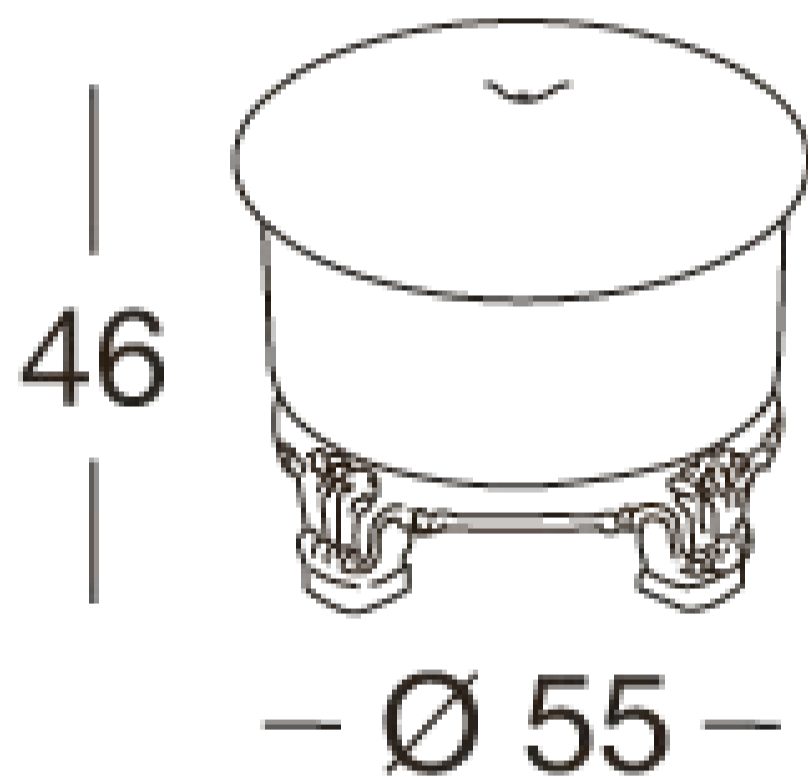


ELENA

Art. 7738

Pouf

A fundamental accessory in any bedroom, the pouf is the detail that characterizes some corners of the room. With its 46 cm height it is perfect to be placed as a comfortable seat in front of the dressing table to comfortably take care of themselves. Finishing and choice of fabric will be the real characterizations of this small article always present.



ELENA

Art. 700-700/S-700/D-700/D3-710/D

Wardrobe

The wardrobes, in perfect classic style, are shared by three bedroom collections, hence their complete adaptability to every site. Each request of the client can be satisfied: wardrobes belonging to the Iride, Elena and Calipso collections can be produced from three to six doors, with or without drawers and can be chosen with mirrors on central doors. The handmade decorations give more luxury and prestige these elegant items.

