

SILIK
1961

IGEA

Bedroom

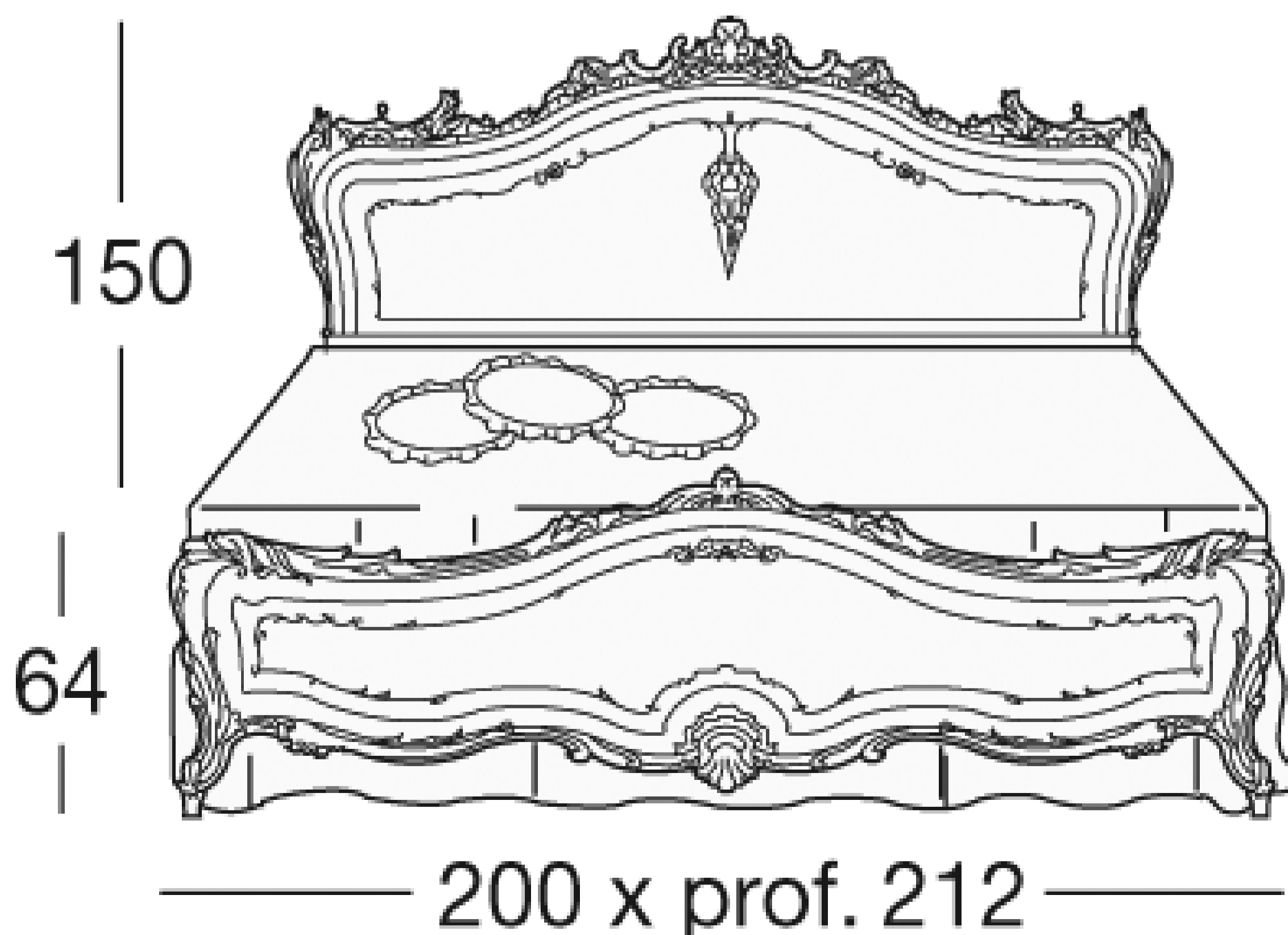
Baroque and luxurious: three adjectives to describe the Igea collection. A bedroom with different variations regarding the central piece. However, the protagonists remain the exceptional floral friezes and the carvings of long and tapered leaves. A real sight for sore eyes.

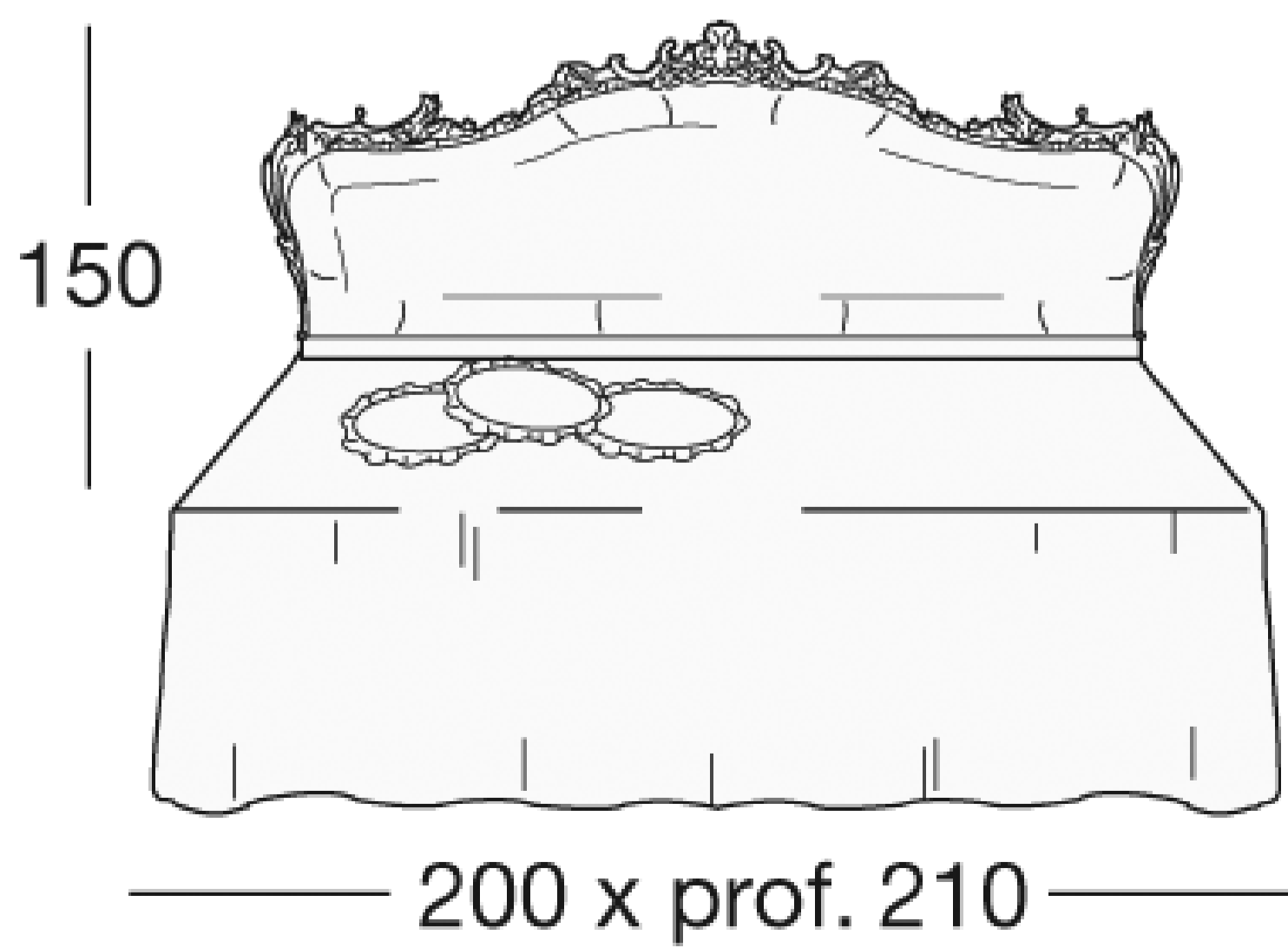
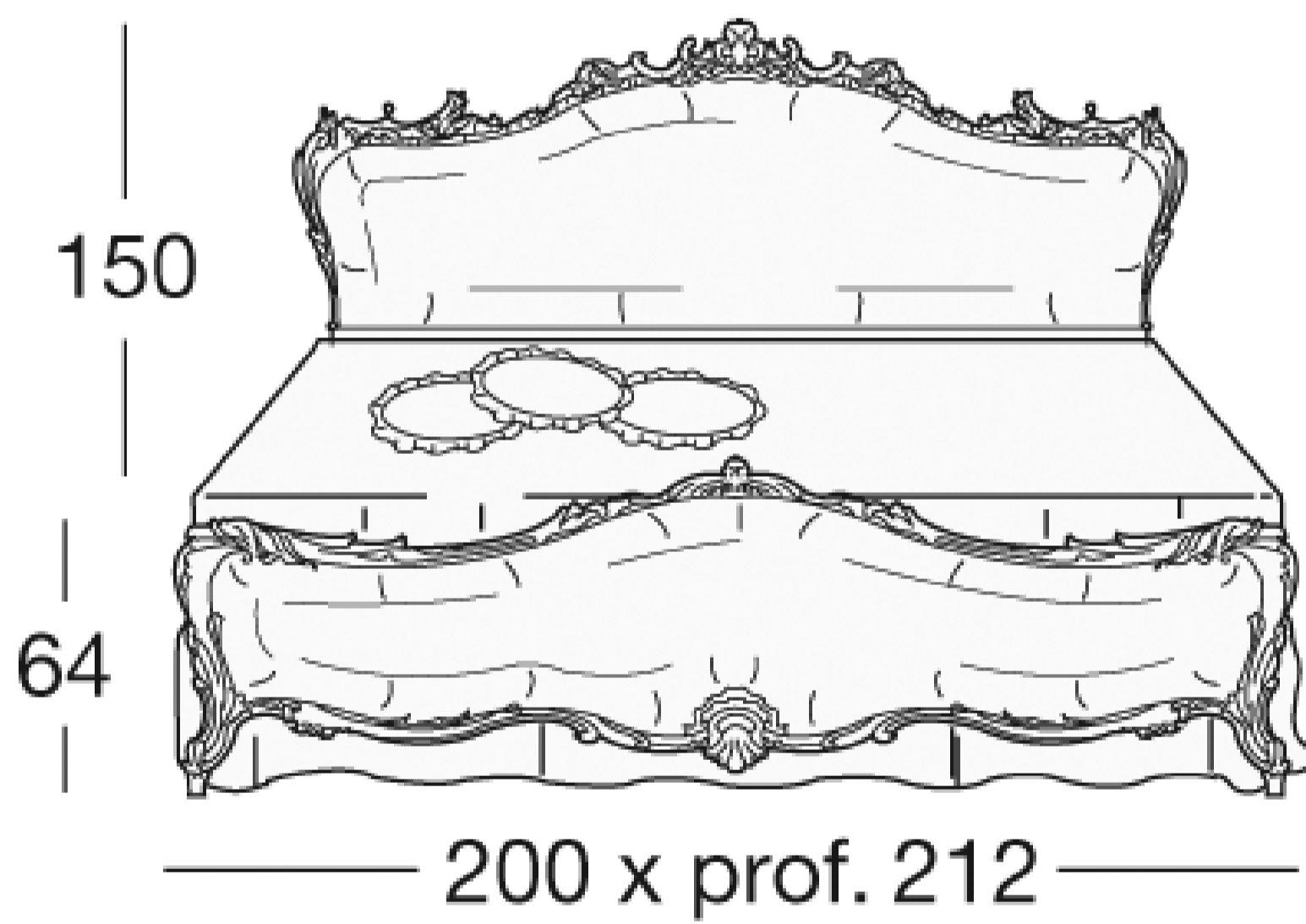
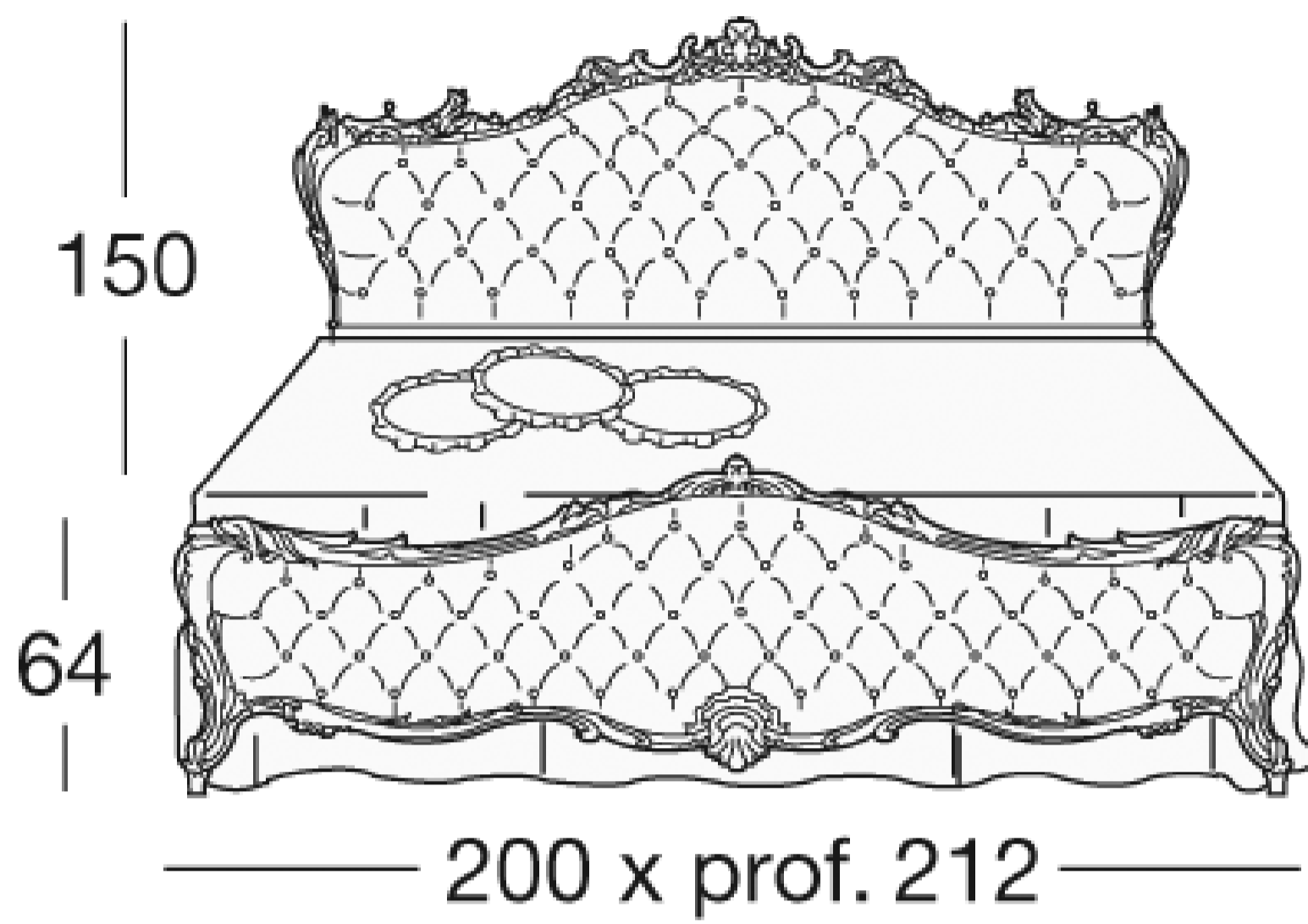
IGEA

Art. 7721 - 7722 - 7722/A - 7722/I

Double beds

Baroque and fantastically worked Igea collection has four different models of double bed: all equally luxurious and important. The sizes are basically the same for each model: 200 cm long, 150 cm tall and 212 cm deep for the item with footboard while 210 cm for the one without footboard. Although the measures remain the same, it differs in detail on footboard, bed frame and headboard such as, for example, the various padding.



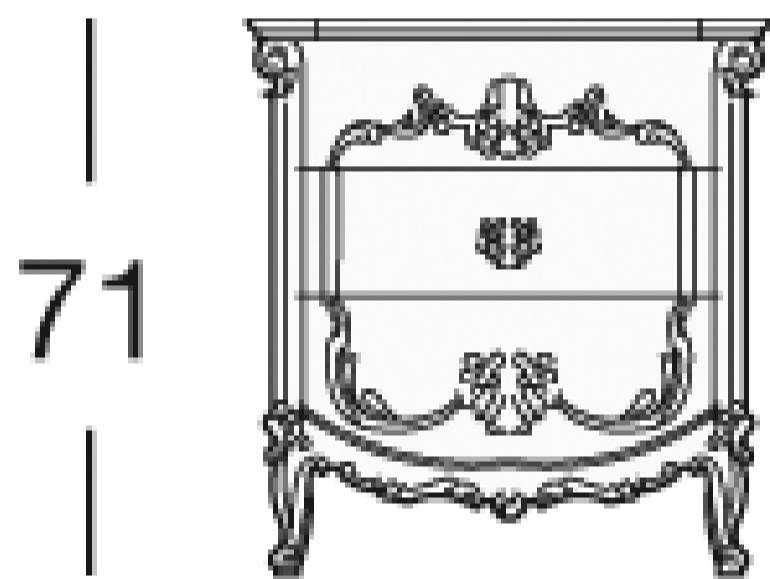


IGEA

Art. 7723

Night table

The night table of the Igea collection is regal, square shaped and carvings skilfully realized by expert hands. Its three drawers guarantee comfort and space. The details reflect meticulously the workmanship of the bed making everything perfectly uniform and elegant.



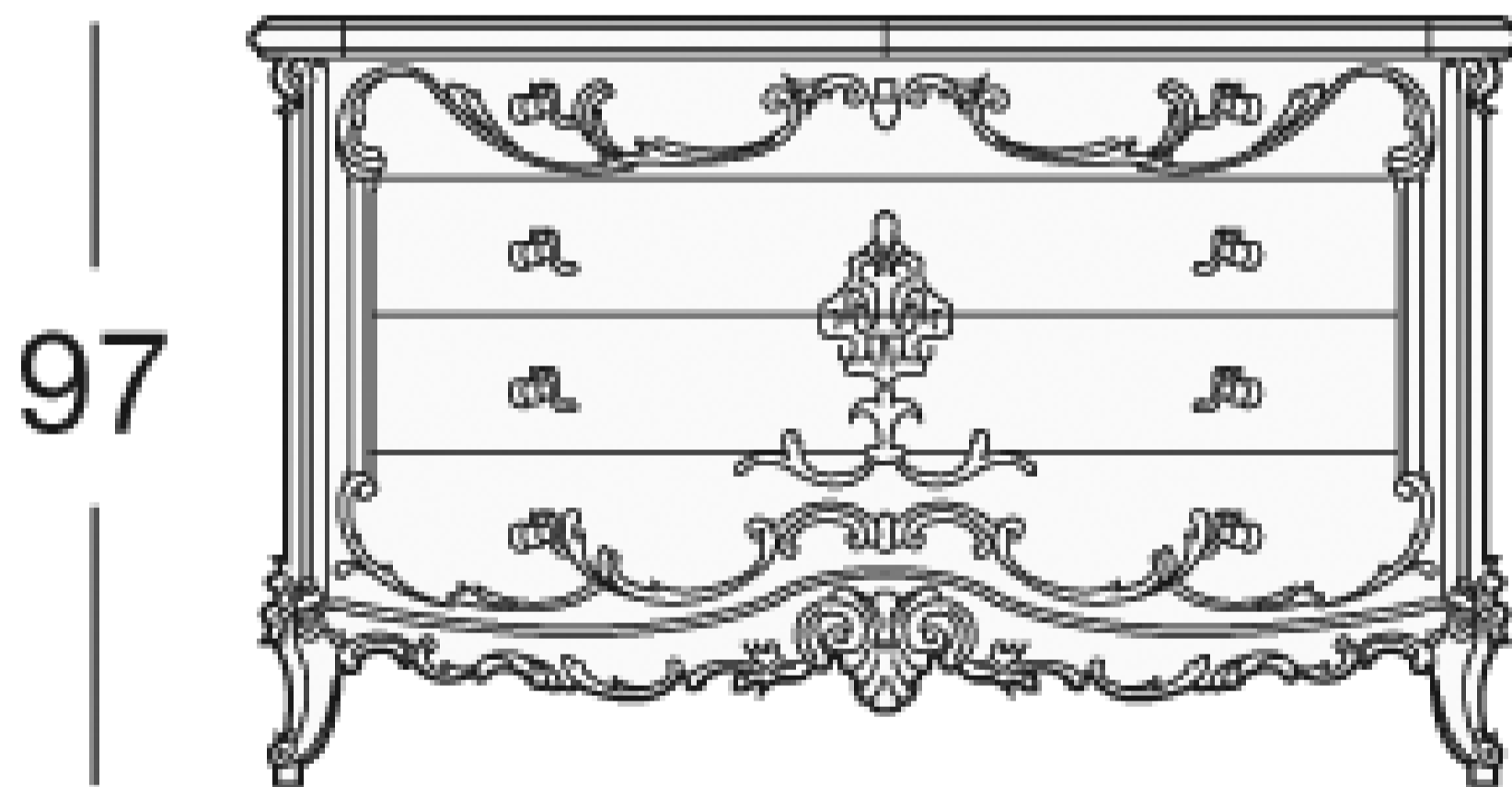
66 x prof. 42

IGEA

Art. 7726

Chest of drawers

The chest of drawers of the Igea collection with four drawers is ideal for organizing personal items without sacrificing an elegant and timeless aesthetic. The friezes on the front of this article perfectly match those of the bed and night table. The ensemble created by the union of these pieces creates a luxury bedroom.



97

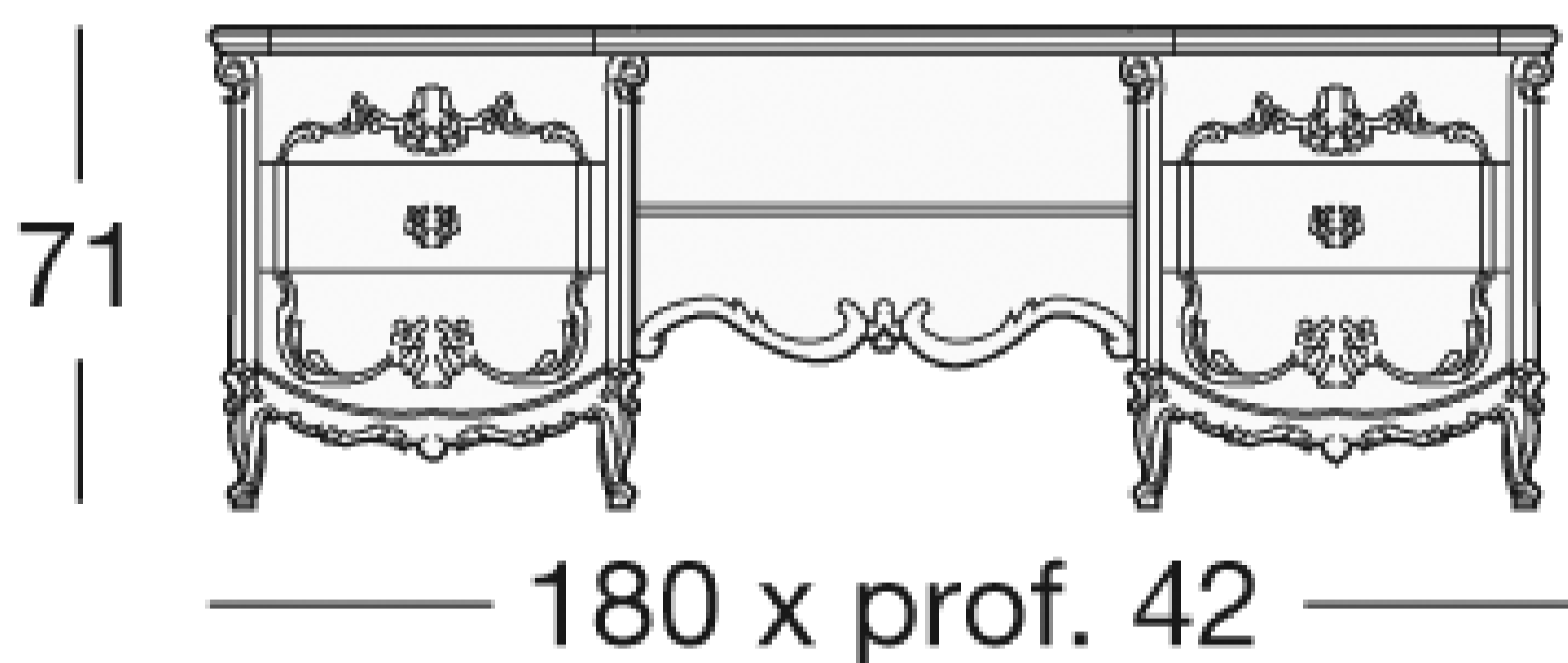
— 155 x prof. 62 —

IGEA

Art. 7727

Dressing table

The dressing table of the Igea collection has six drawers, three on each side. With a length of 180 cm and a beautiful and unforgettable design, it is a perfect solution to complete a bedroom. To combine with this article there is its particular frame with mirror with adjustable sides.

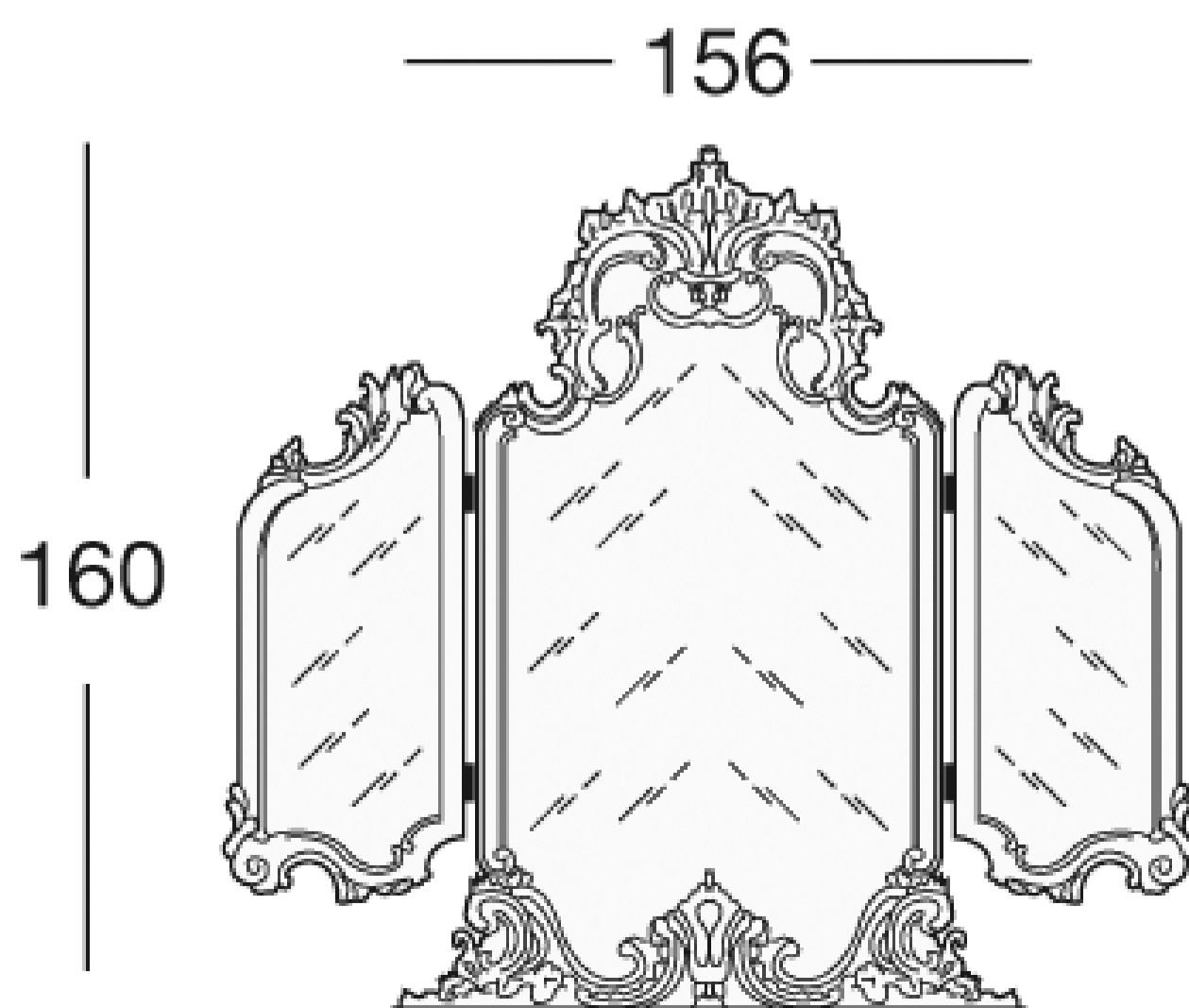
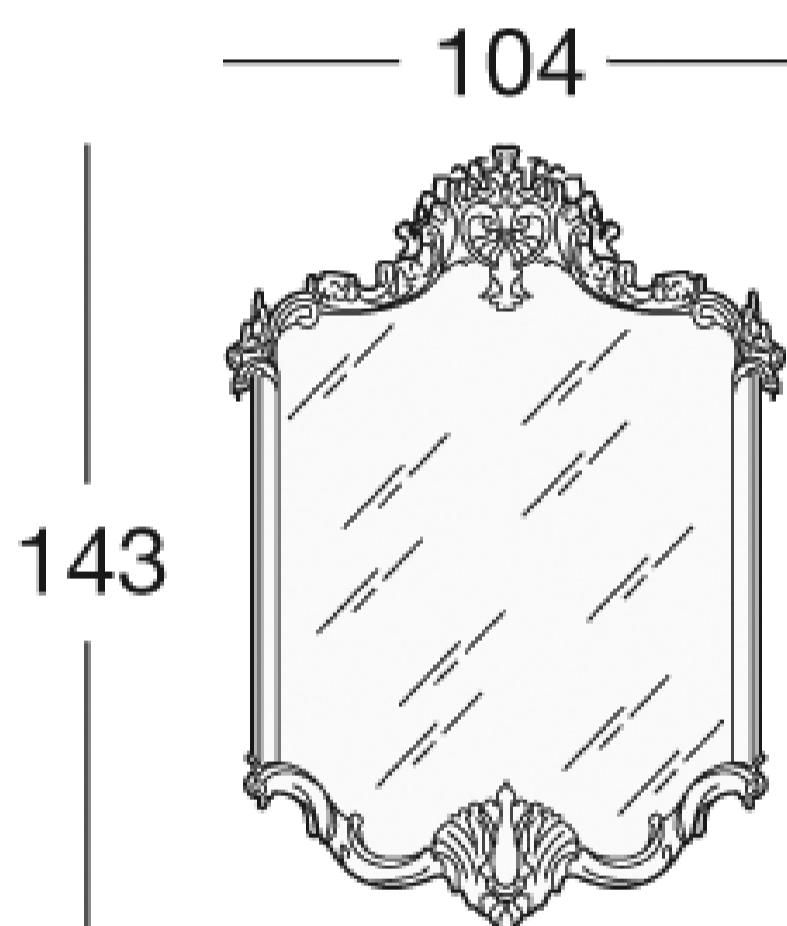


IGEA

Art. 7725-7724

Mirrors

There are two kinds of mirrors from the Igea collection by Silik. One fixed on the dressing table's top, large and highly decorated with lateral adjustable sides and the smaller but equally incredible one created to be hung to the wall. The frames are a true example of craftsmanship, precision, and attention to detail, even the smallest ones. The roses, daisies and long leaves give a timeless elegance.



IGEA

Art. 7720

Wardrobe

The wardrobe of the Igea collection is luxurious, spacious, and elegant. Due to its measures: 343 cm long, 238 cm high and 75 cm deep, it has six doors, two of which are mirrored central. The friezes are perfectly in line with the rest of the room and the precious handmade decorations on the sides of this wardrobe give even more luxury to an incredible piece.

