



SILIK
1961

IRIDE

Bedroom

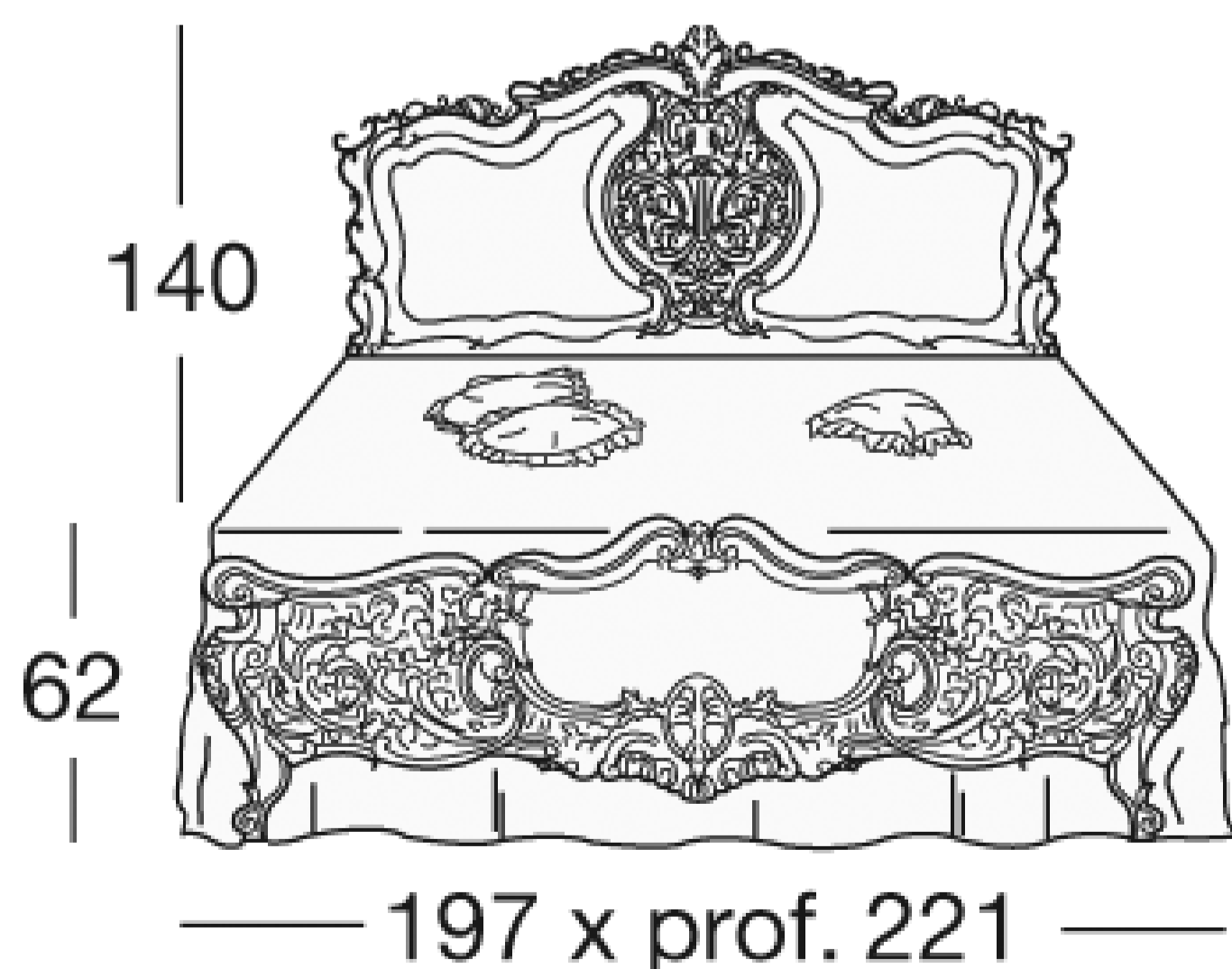
The Iride collection is irreverent, extroverted and finely articulated. Full of volutes, weaves, swirls, and flowers. The bed in particular gives a sense of opulence, luxury and importance. It is a bedroom protagonist of the house able, alone, to fill the room. The friezes are intricate, sinuous, and artistically fascinating.

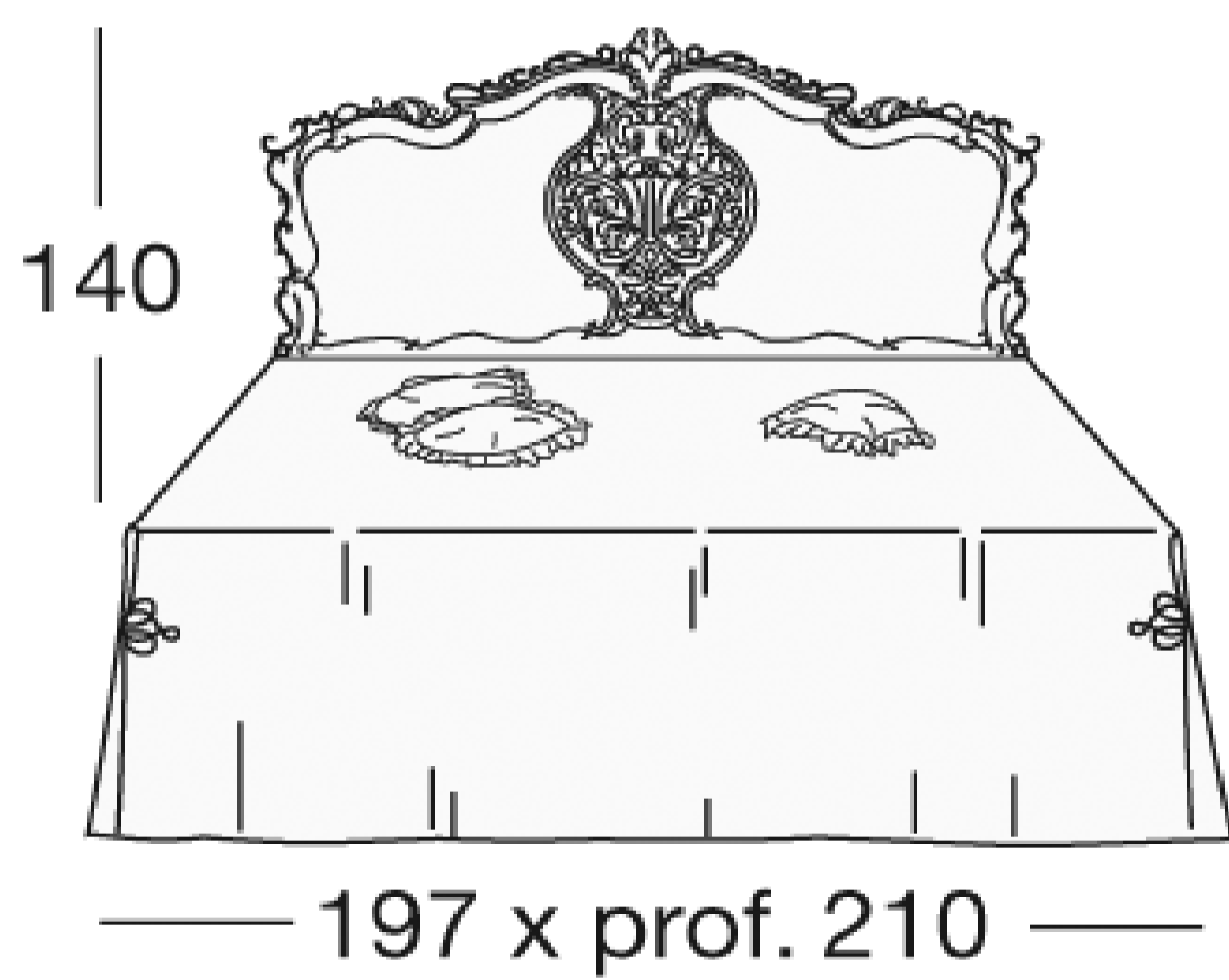
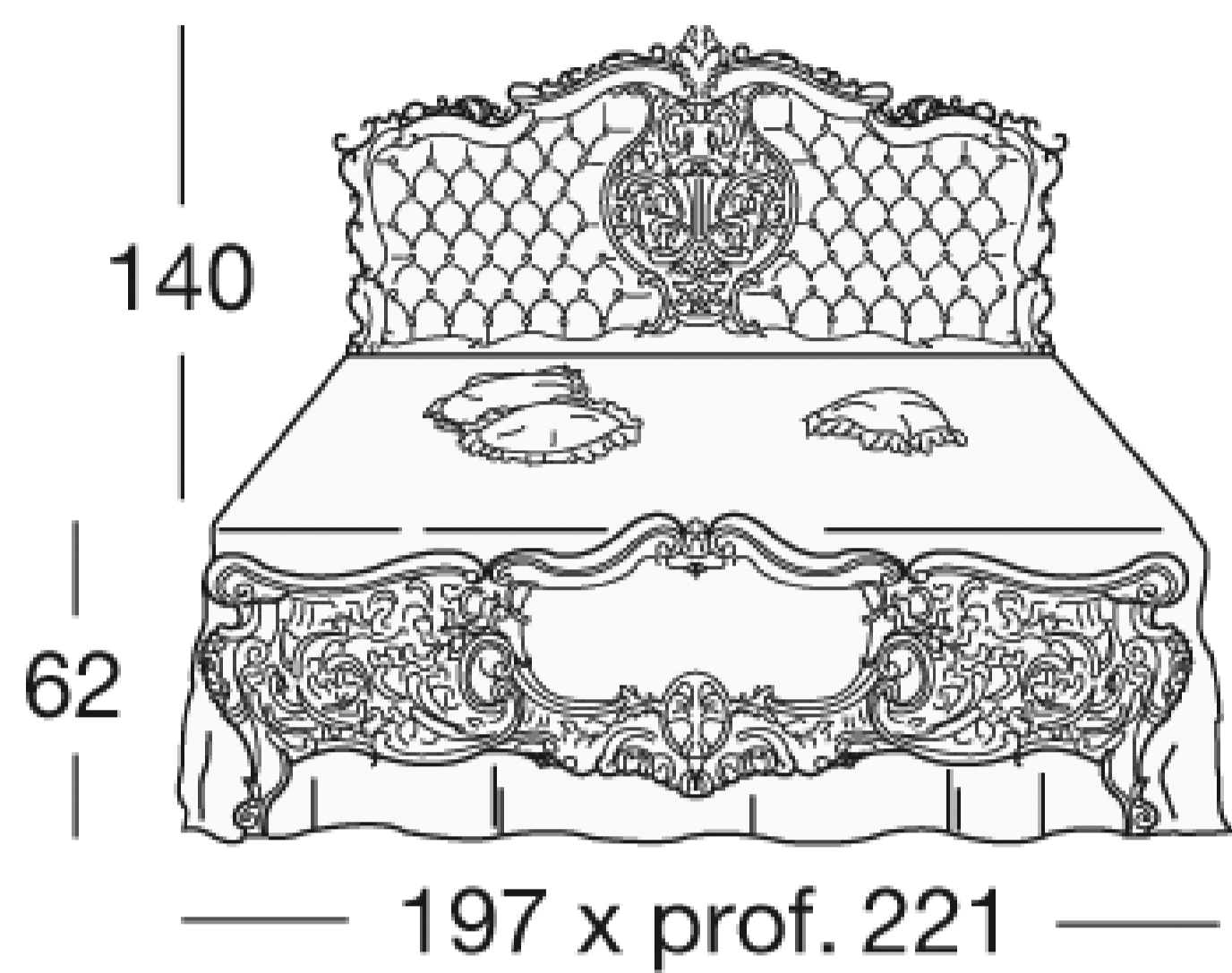
IRIDE

Art. 711 - 712 - 712/I

Double beds

The beds in the Iride collection are magnificent and finely worked. There are three models available which differ one from another in terms of stylistic choices such as multiple combinations of wooden or padded headboard, footboard, and bed frame. Iride beds have been conceived with the idea of surprising and enchanting the eye of the observer.



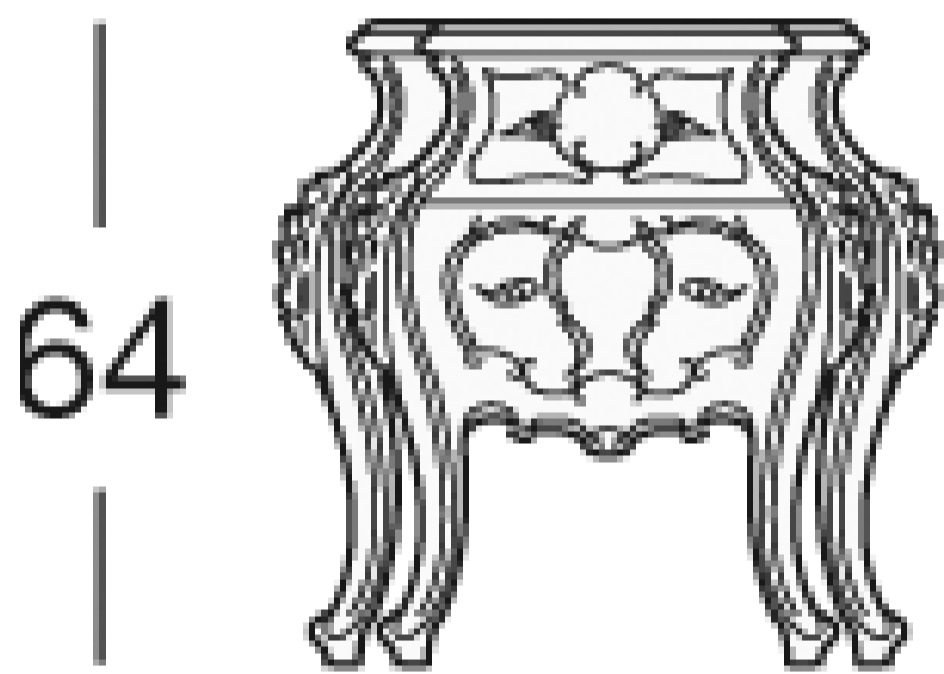


IRIDE

Art. 713

Night table

The night table with two drawers of the Iride collection is presented with elegant and fine friezes recalling the timeless ancient Greek decorations. The ornaments, simpler than the bed ones, match the most important piece in a soft and light way. Everything refers to a perfect idea of royalty.



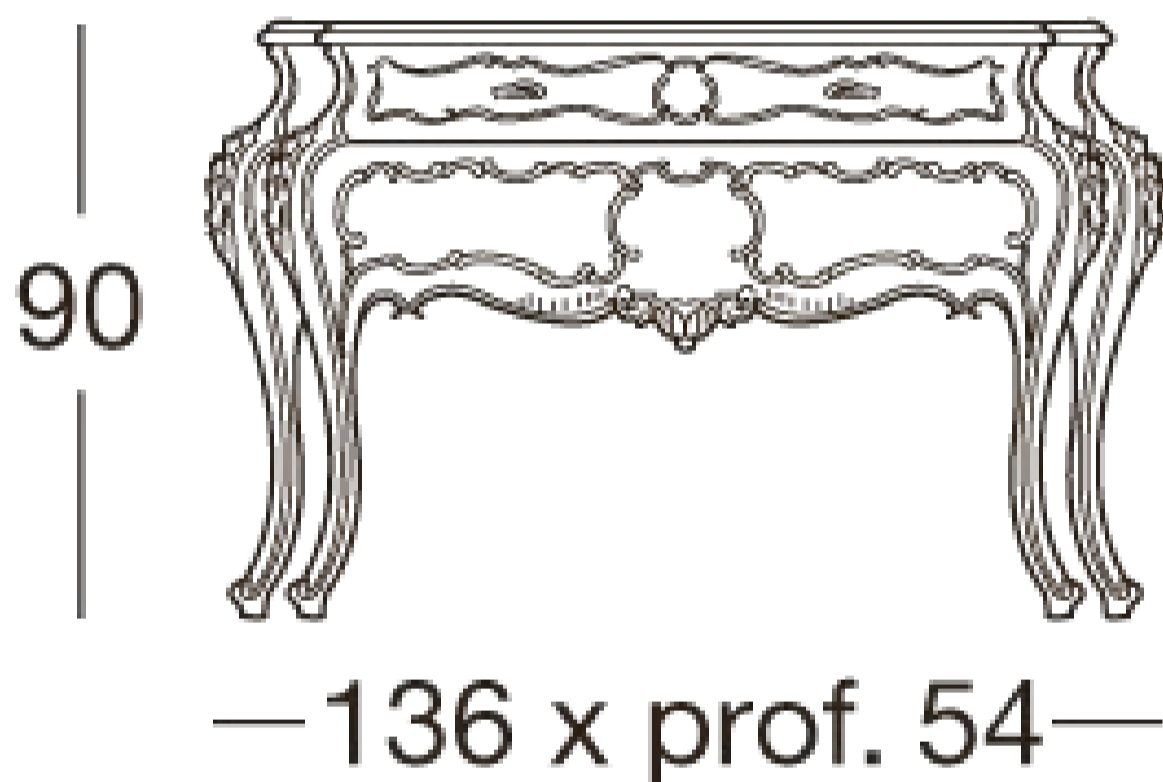
64 x prof. 34

IRIDE

Art. 716

Chest of drawers

The chest of drawers of the Iride collection is quite spacious thanks to its upper top and its two drawers. The friezes and the rounded shape of this article, perfectly reflect the style of the night table of this collection creating linearity and elegance. 136 cm long and 90 cm high, this chest of drawers is a guarantee of comfort for the personal organisation.

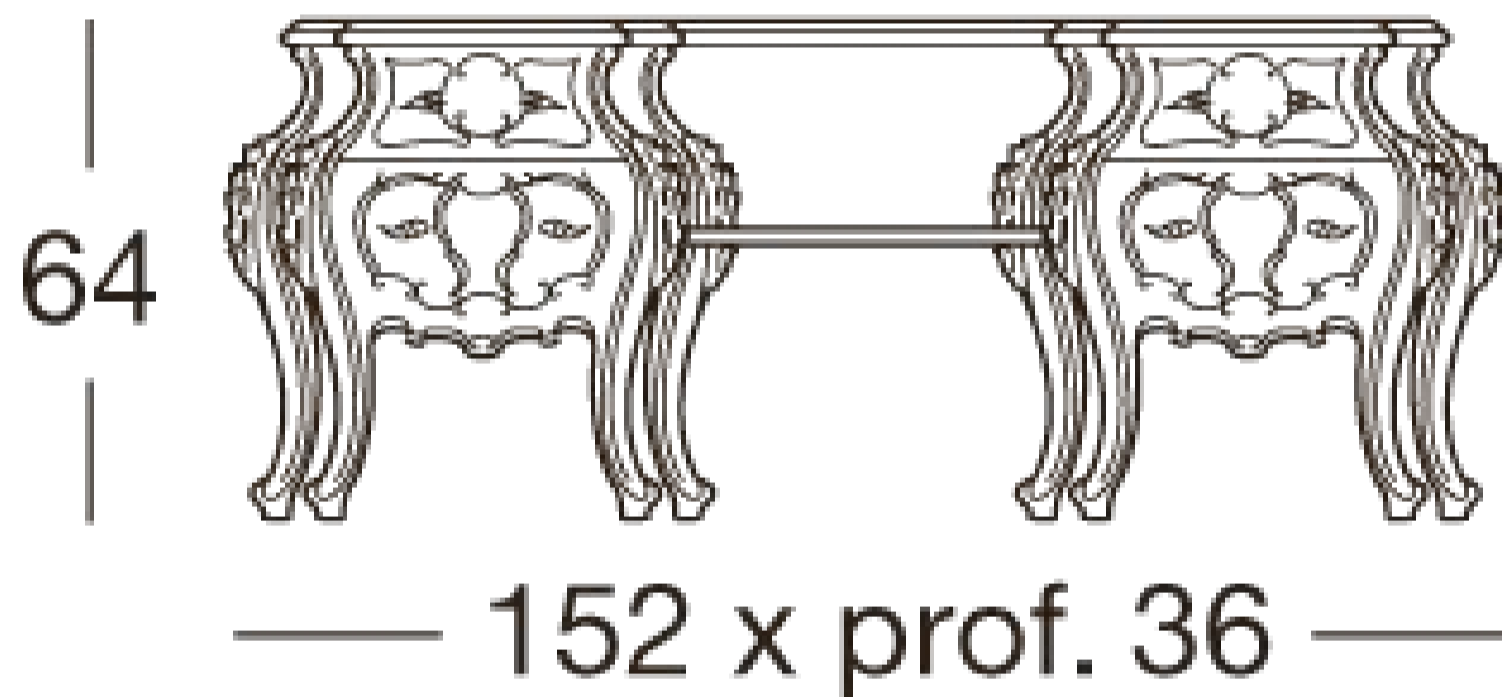


IRIDE

Art. 717

Dressing table

A dressing table with four drawers, two on each side, with a smaller shelf under the top. 152 cm long and 64 cm high with a maximum depth of 36 cm, this is how the Iride dressing table looks. With friezes and shapes that recall the other items of furniture in the room, Iride dressing table is the perfect piece to complete a fascinating collection.

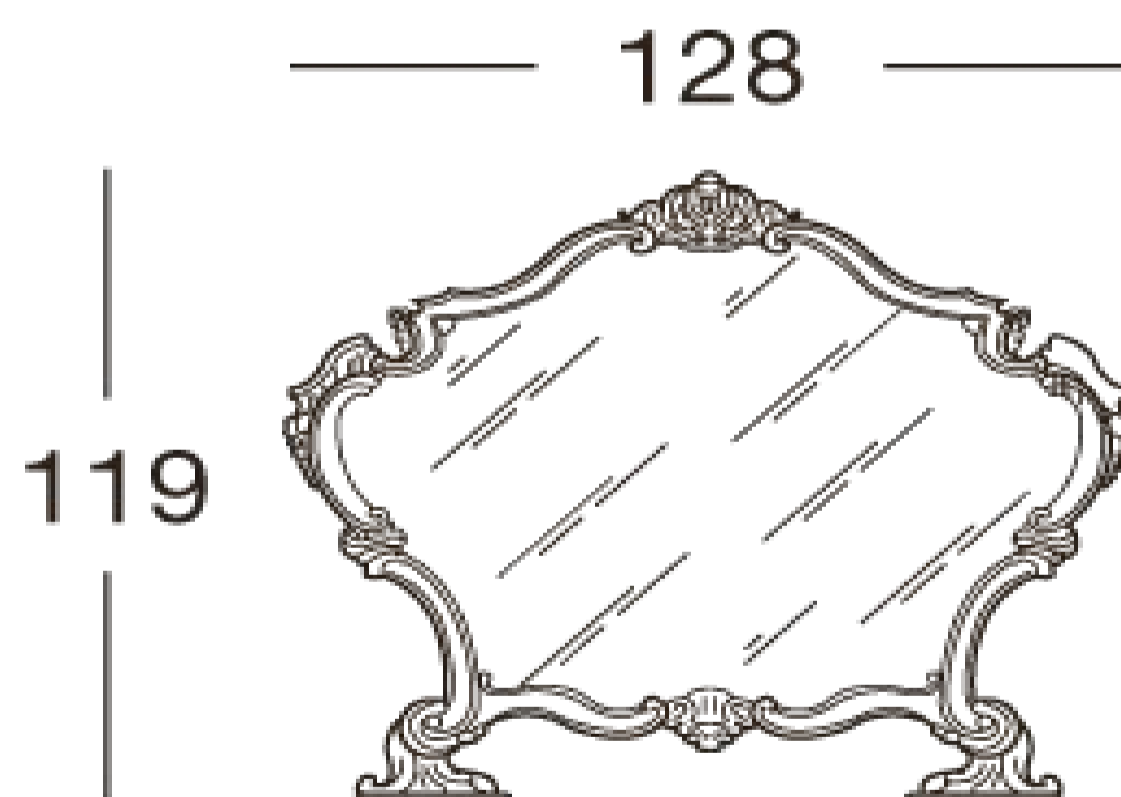
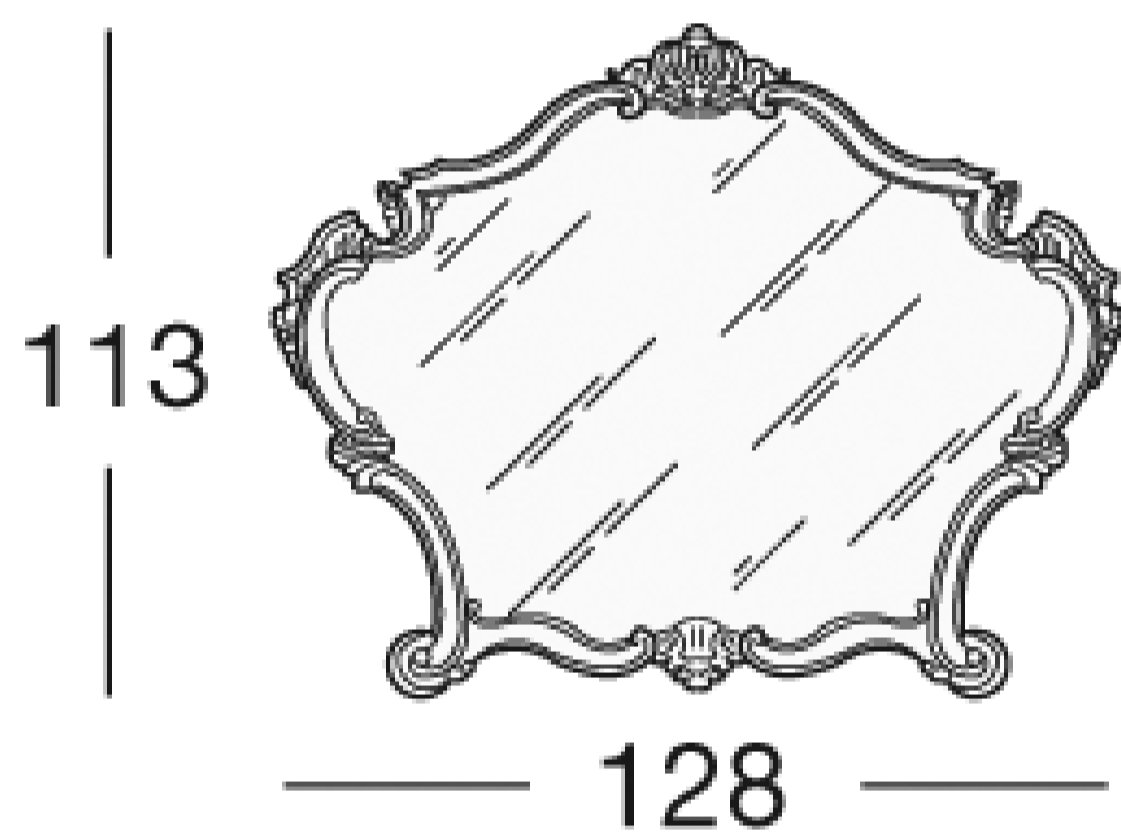


IRIDE

Art. 714 - 715

Mirrors

The Iride collection presents two mirrors equal in shape but not in size and positioning. While one mirror is a wall mirror, the other is a perfect support to be put, for example, over the dressing table set. Soft and elegant lines that perfectly match the highlight of the bedroom: the double bed.

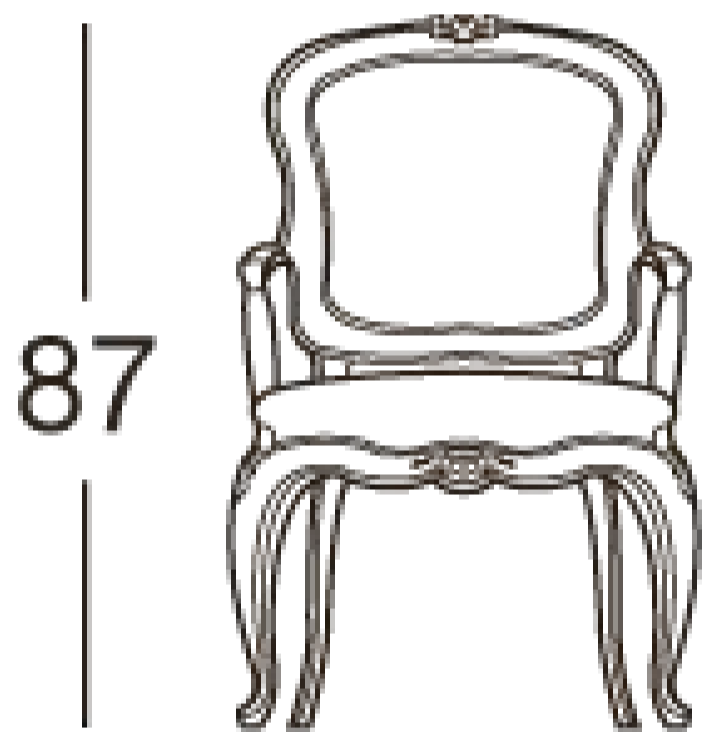


IRIDE

Art. 708

Armchair

A particular and useful accessory can surely be this armchair with reduced dimensions. It is 87 cm tall, 57 cm long and 63 cm deep. A small, elegant, and functional seat is therefore perhaps the final touch of class to complete a beautiful bedroom.



57 x prof. 63

IRIDE

Art. 700-700/S-700/D-700/D3-710/D

Wardrobe

The wardrobes, in perfect classic style, are shared by three bedroom collections, hence their complete adaptability to every site. Each request of the client can be satisfied: wardrobes belonging to the Iride, Elena and Calipso collections can be produced from three to six doors, with or without drawers and can be chosen with mirrors on central doors. The handmade decorations give more luxury and prestige these elegant items.

