



SILIK
1961

VESTA

Bedroom

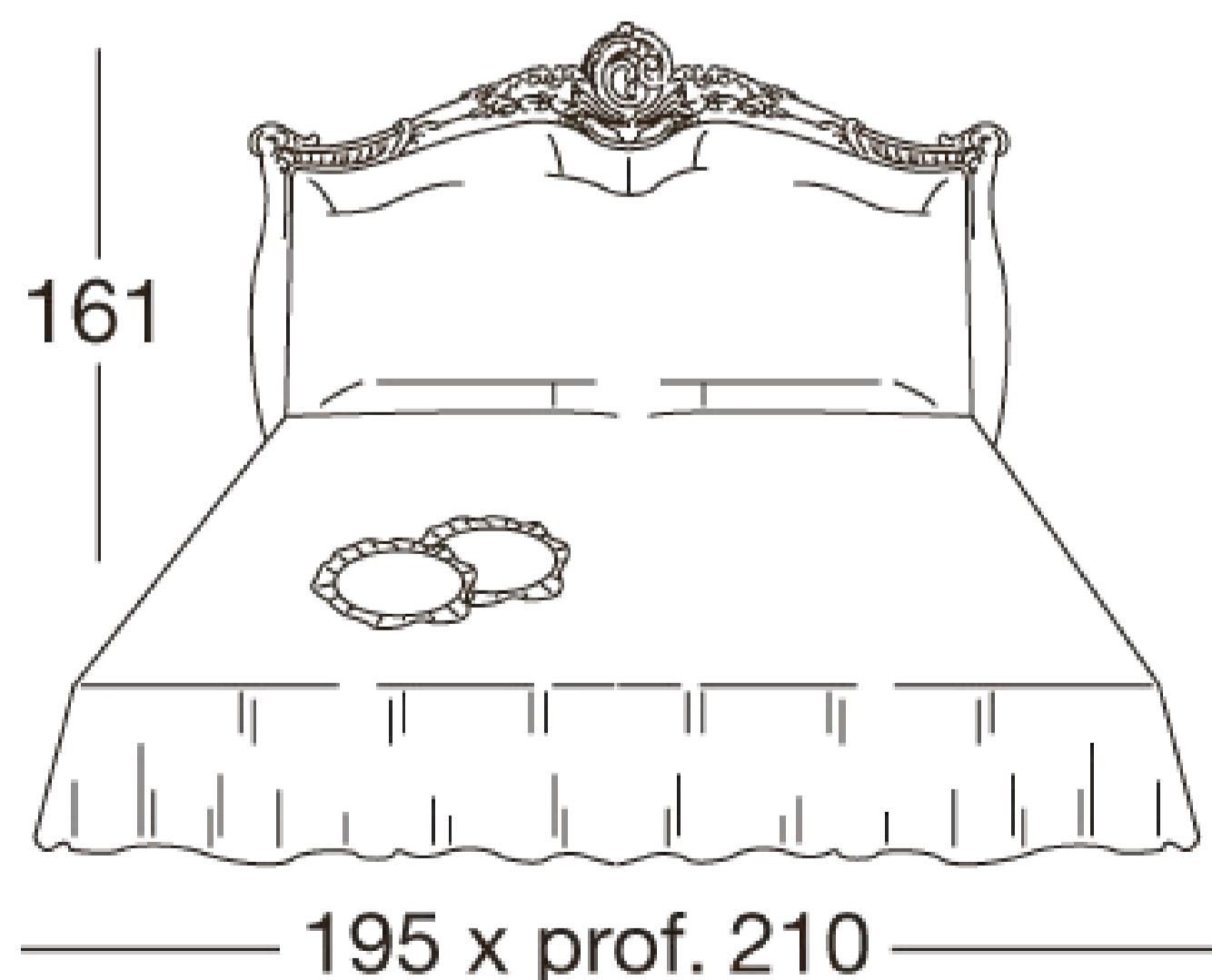
The Vesta collection is simply sublime. With a distinct elegance and attention to even the smallest detail, Vesta has the incredible gift of creating a real bedroom with a royal flavour. The small leaves on the drawers of the night tables, the dressing table, and the chest of drawers are so beautiful and soft to capture attention and what about the fantastic, padded headboard?

VESTA

Art. 7792/I

Double bed

Vesta collection is characterized by royal tones in its elements and this feature can be seen especially in the composition of the Vesta bed with upholstered headboard and footboard. This bed's refined carvings highlight the elegance of the item. The combination between the structure and the fabric aim to personalize an item to provide a fairy-tale atmosphere.



VESTA

Art. 7793

Night table

If you were to describe the bedside table of the Vesta collection with only three words, you would undoubtedly choose the following: luxurious, refined, and romantic. The friezes placed on the two drawers recall sweet and romantic leaves, the legs curved in the final part, have carvings of long leaves like those of a bouquet of flowers. The idea of surprising with details, in this case, is obvious.



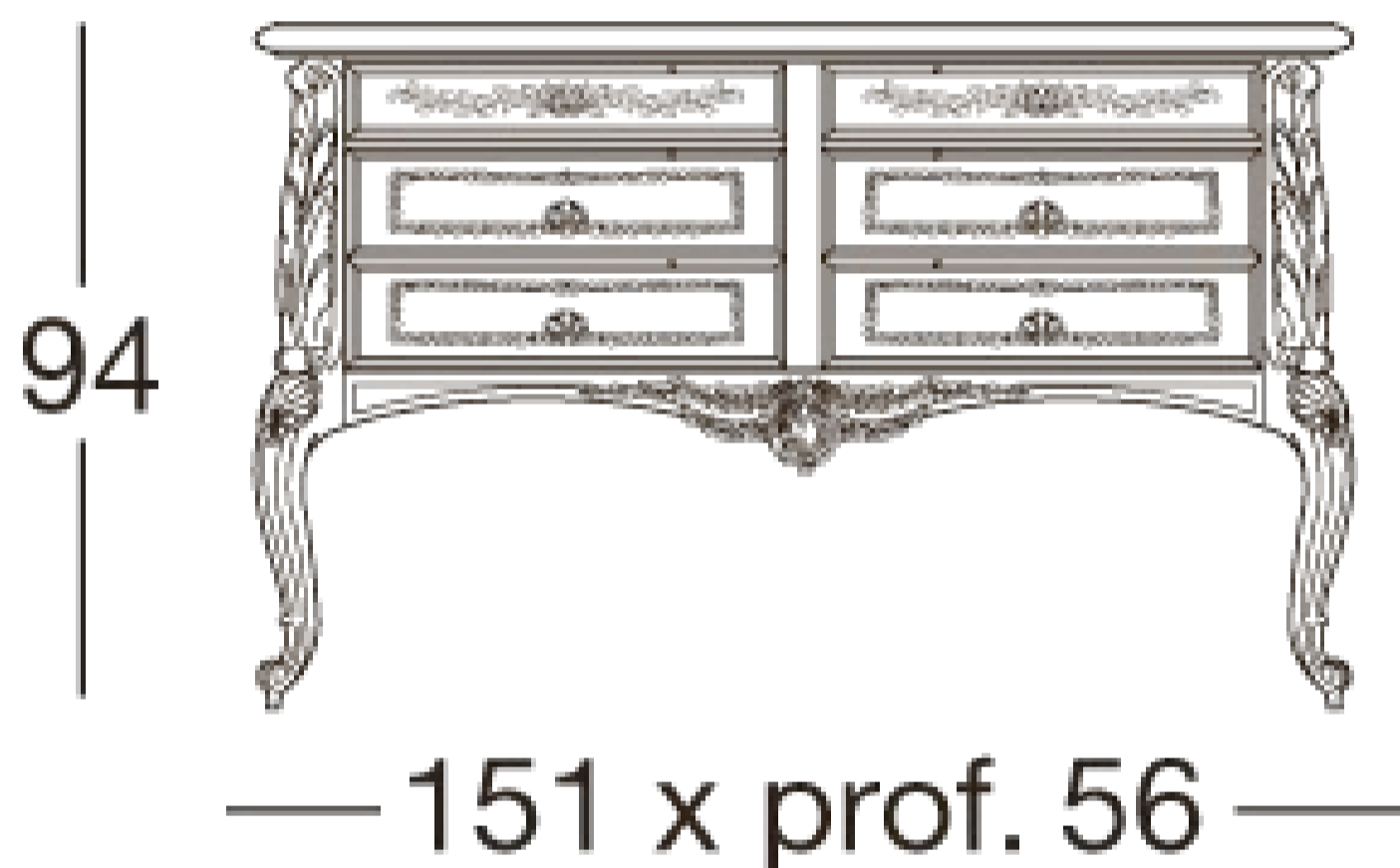
64 x prof. 50

VESTA

Art. 7796

Chest of drawers

The six-drawer dresser from the Silik Vesta collection is 151 cm long and 91 cm high. Functional and elegant, it is perfectly in harmony with the sophistication that distinguishes this collection. The friezes representing leaves and flowers create a romantic and stylish environment that can fascinate everyone.

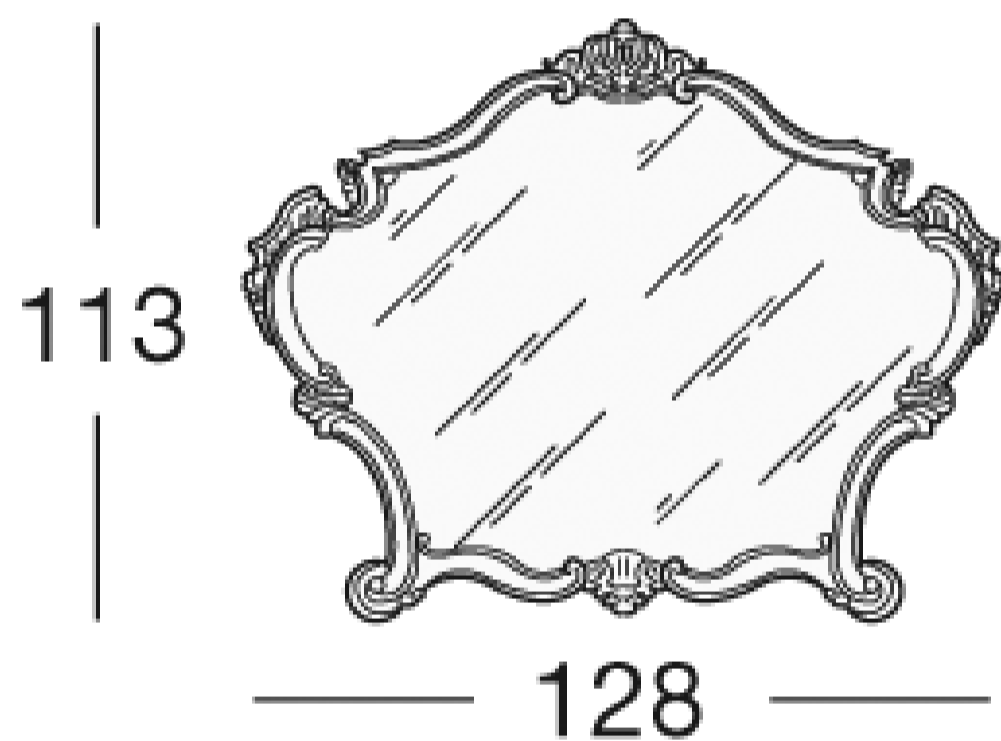


VESTA

Art. 714

Frame with mirror

Romantic and refined, the Vesta mirror completes a collection with a regal and timeless charm. With a soft and harmonious shape, it is suitable for a room with romantic and timeless flavours. Its perfect size, not too big or too small, makes it conform to be combined with a dressing table or a chest of drawers.

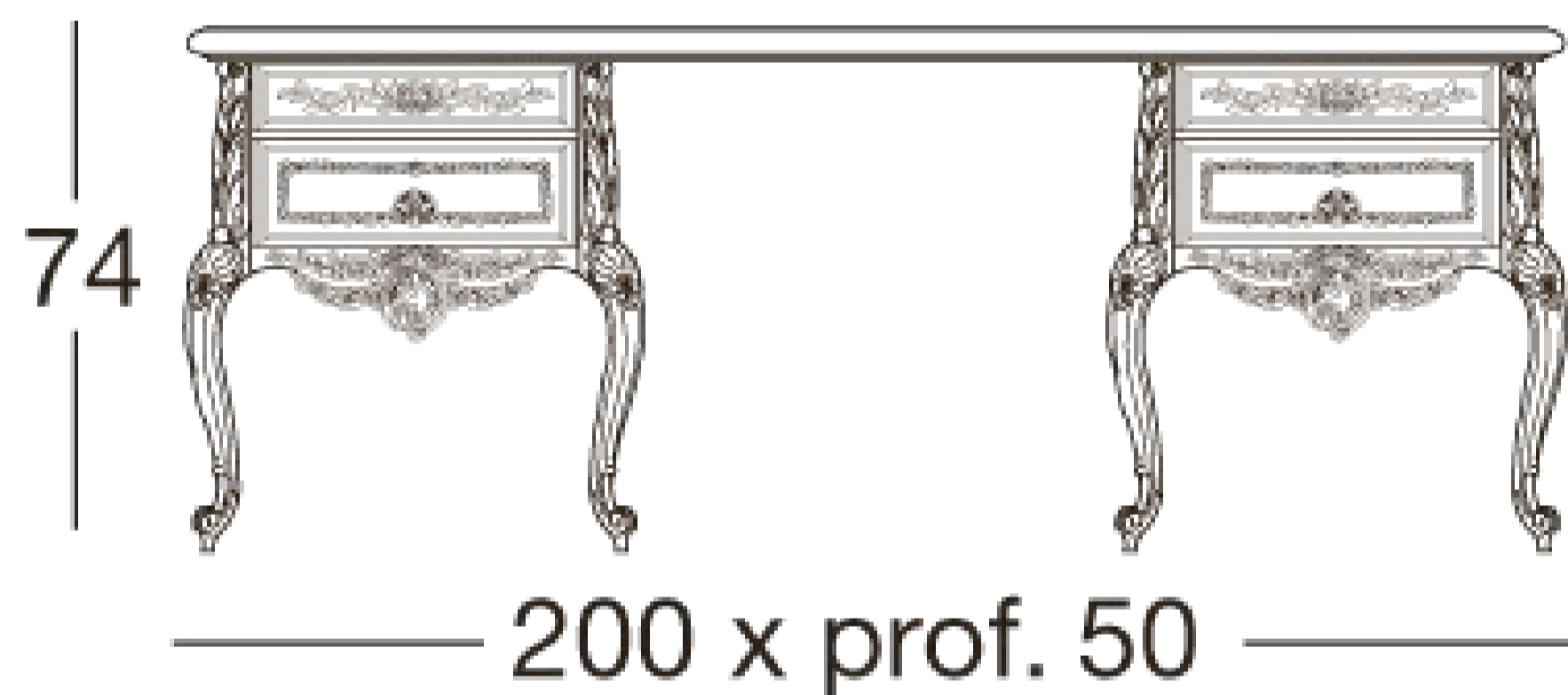


VESTA

Art. 7797

Dressing table

Two meters long, the Vesta dressing table with four drawers, as the rest of the collection, retains a refined elegance. The details completely match with the other items in this set: the amazing craftsmanship in the realization of the small and decorative leaves is the main distinctive element of this collection.

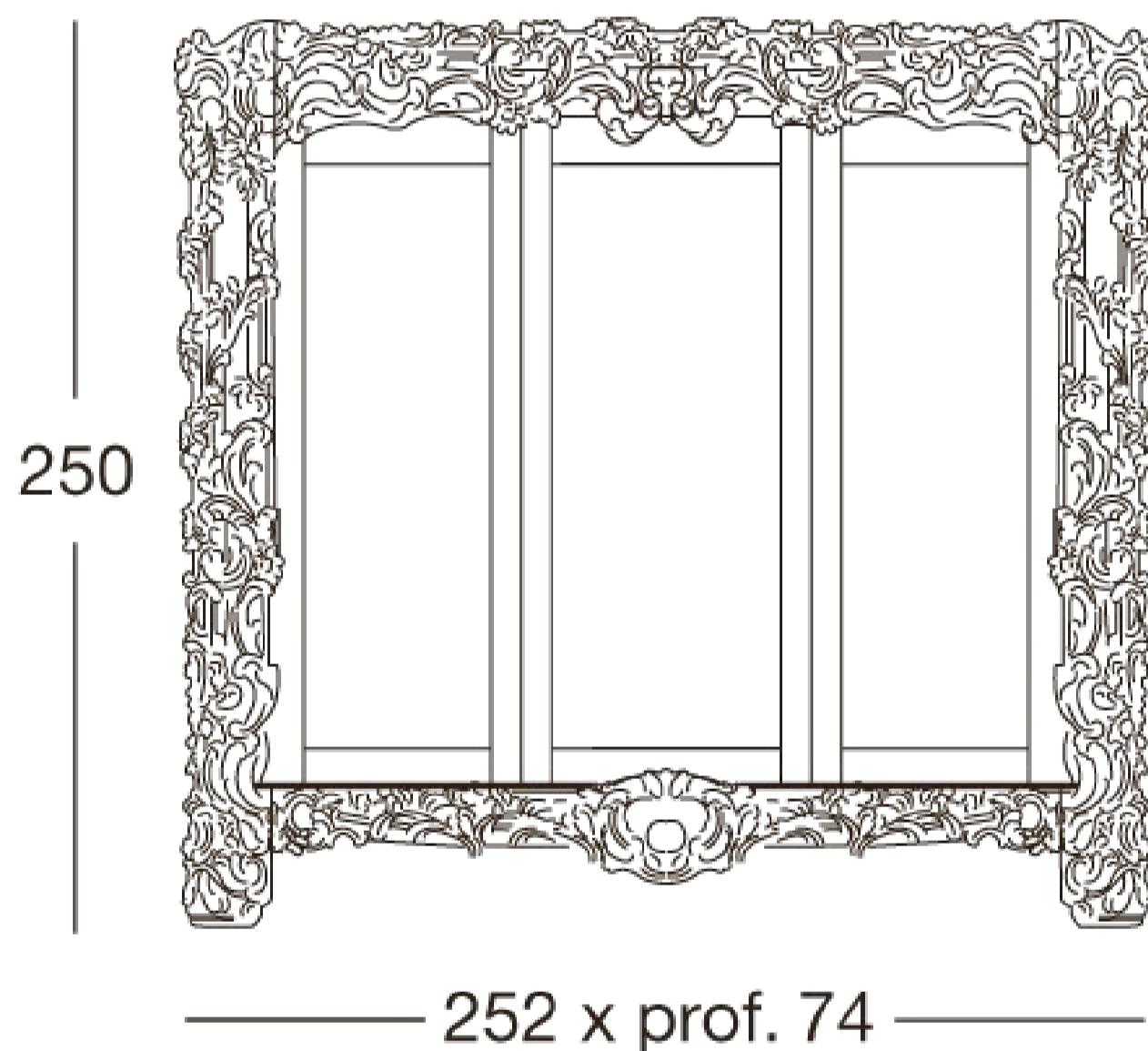


VESTA

Art. 7800

Wardrobe

The wardrobe Vesta has three sliding doors, it is 252 cm long and 250 cm high with a depth of 74 cm. The friezes that characterize its elegance climb sinuously on the side columns of this article. Small and detailed little roses, elegant daisies flanked by long leaves and large curls create a blaze of beauty and unforgettable elegance.



VESTA

Art. 748

Pouf

Small, comfortable, and useful: the pouf is an unmissable accessories in an elegant and refined bedroom like the Vesta collection. The feet at the base reflect the light details of the set and the comfortable seat ensures comfort in a small space.

